

# **Certification Practice Statement of the D-TRUST Root PKI**

[ENGLISH](#)

[DEUTSCH](#)

# Certification Practice Statement of the D-TRUST Root PKI

Version 3.10

# COPYRIGHT NOTICE AND LICENSE

## Certification Practice Statement of the D-TRUST Root PKI

©2023 D-Trust GmbH



This work is licensed under the Creative Commons Attribution-NoDerivatives 4.0 International License.

All other rights reserved.

Please direct any inquiries regarding any other form of use of this CPS of D-Trust GmbH not covered by the above-mentioned license to:

D-Trust GmbH  
Kommandantenstr. 15  
10969 Berlin, Germany  
Phone: +49 (0)30 259391 0  
E-mail: [info@d-trust.net](mailto:info@d-trust.net)

The English version is a translation, the contents of which match the German version of the CPS.

Please note that only the German version of this CPS is authoritative.

## Document History

Version	Date	Description
2.0	2017-01-01	<ul style="list-style-type: none"> <li>As part of the introduction of qualified products pursuant to EN 319 411-2 and eIDAS, the document version was raised to 2.0.</li> <li>The Certificate Policy document history up to this point in time can be found in version 1.15 from 3 October 2016.</li> </ul>
2.1	2017-10-01	<ul style="list-style-type: none"> <li>Editorial changes along with more specific details in section 6.5</li> </ul>
2.2	2018-03-28	<ul style="list-style-type: none"> <li>Editorial changes and a revision of compatibility with RFC 3647</li> <li>Adaptation of the use license to "Creative Commons Attribution"</li> <li>Adapted to Mozilla Root Store Policy 2.5</li> </ul>
2.3	2018-07-05	<ul style="list-style-type: none"> <li>Change in domain validation methods in 3.2.2, 3.2.2, 4.2.1</li> <li>OrgID field in section 3.1.4 was amended according to variant 3 in section 5.1.4 of EN 319 412-1.</li> <li>Editorial changes</li> </ul>
2.4	2018-10-11	<ul style="list-style-type: none"> <li>Table listing CA certificates in section 1.1.3</li> <li>Amendments in section 7.3</li> <li>Adaptation of sections 1.5.2 and 4.9 according to SC6v3 Ballot from the CAB Forum</li> </ul>
2.5	2018-11-30	<ul style="list-style-type: none"> <li>This CPS complies with the requirements of Mozilla Policy 2.6.1</li> <li>Full annual review of the CPS</li> <li>Editorial changes</li> </ul>
2.6	2019-05-15	<ul style="list-style-type: none"> <li>Addition of revocation via the website</li> <li>Addition of the qualified seal (QSealC) with PSD2 extension</li> <li>Addition of Qualified Website Authentication Certificates (QWACs) with PSD2 extension</li> <li>Full annual review of the CPS</li> <li>Editorial changes</li> </ul>
2.7	2019-05-22	<ul style="list-style-type: none"> <li>Addition of qualified seal certificates with PSD2 extension without QSCD</li> <li>In section 4.2.1, methods 3.2.2.4.7, 3.2.2.4.13 and 3.2.2.4.14 added to the domain validation methods according to [BRG]</li> </ul>
2.8	2019-10-09	<ul style="list-style-type: none"> <li>Update according to the CAB's observation report</li> <li>Clarification of section 5.5.2</li> <li>Editorial changes</li> </ul>
2.9	2020-03-19	<ul style="list-style-type: none"> <li>This CPS complies with the requirements of Mozilla Policy 2.7</li> <li>Full annual review of the CPS</li> <li>Adjustment of the archiving period for LCP in section 5.5.2</li> <li>SHA-256 fingerprints added in section 1.1.3</li> <li>Domain validation methods added in section 4.2.1</li> </ul>

2.10	2020-04-27	<ul style="list-style-type: none"> <li>▪ Amendments to certificate chain verification in section 4.5.2.</li> <li>▪ Amendments in sections 5.3.7 and 5.5.2</li> <li>▪ Reduction of the validity period of TLS certificates, see section 6.3.2.</li> </ul>
2.11	2020-08-18	<ul style="list-style-type: none"> <li>▪ Introduction of an EEC Root CA and two ECC Sub CAs for QCP-n-qscd and QCP-l-qscd</li> </ul>
3.0	2020-11-10	<ul style="list-style-type: none"> <li>▪ From version 3 or higher, the Root CPS is subordinate to the TSPS</li> <li>▪ Update according to observation report</li> </ul>
3.1	2021-04-23	<ul style="list-style-type: none"> <li>▪ Link replaced in section 1.1.3</li> <li>▪ Introduction of the current "CA root inclusion" process in section 1.1.3</li> <li>▪ Full annual review of the CPS</li> <li>▪ Amendments in sections 1.5.3, 2.2, 3.1.4, 3.2.2, 6.1.1, 7.1.3</li> </ul>
3.2	2021-05-03	<ul style="list-style-type: none"> <li>▪ Introduction of the new CAs for QES and QSEAL in section 1.1.3</li> <li>▪ Editorial changes in section 7.1.3</li> </ul>
3.3	2021-07-06	<ul style="list-style-type: none"> <li>▪ Introduction of new qualified CAs in section 1.1.3</li> <li>▪ Announcement of the introduction of a personalized certificate order portal named "D-TRUST Portal" and the following web address: <a href="https://portal.d-trust.net/">https://portal.d-trust.net/</a>. The go-live has yet to be announced.</li> <li>▪ Introduction of a new revocation method in section 4.9.3 in conjunction with the "D-TRUST Portal" to be introduced.</li> <li>▪ Update in the context of the BR Self Assessment</li> <li>▪ Editorial changes and amendments in sections 1.6.1, 2.3, 3.1.1, 3.1.4, 3.1.6, 3.2, 3.2.1, 3.2.2, 3.2.3, 3.2.4, 4.3.1, 4.9.5, 7.1.3, 7.1.6</li> </ul>
3.4	2021-08-19	<ul style="list-style-type: none"> <li>▪ Announcement of the D-TRUST portal go-live</li> <li>▪ Amendments in section 1.1.3, 1.6.1 and 3.1.4</li> </ul>
3.5	2021-10-14	<ul style="list-style-type: none"> <li>▪ Amendments in sections 3.1.4 and 6.1.1</li> </ul>
3.6	2022-04-14	<ul style="list-style-type: none"> <li>▪ Informative introduction of the NCP policy level</li> <li>▪ Renaming of the QCP-w policy level to QEVCP-w and introduction of the QNCP-w policy level</li> <li>▪ Amendments in sections 1.1.3 and 6.1.3</li> <li>▪ Full annual review of the CPS</li> </ul>
3.7	2022-08-22	<ul style="list-style-type: none"> <li>▪ Amendments and concretisations in section 1.1.3, 3.2.3, 4.2.1, 4.5.1 and 6.3.2</li> <li>▪ Introduction of the current "CA root inclusion" in section 1.1.3</li> </ul>
3.8	2022-11-17	<ul style="list-style-type: none"> <li>▪ Concretisations in section 1.1.3 and 4.9.6</li> </ul>
3.9	2023-02-14	<ul style="list-style-type: none"> <li>▪ Introduction of the new qualified sub-CA „D-TRUST CA 3-21-3 2022“ in section 1.1.3</li> <li>▪ Concretisations in section 1.1.3 and 3.1.4</li> </ul>
3.10	2023-05-25	<ul style="list-style-type: none"> <li>▪ Full annual review of the CPS</li> <li>▪ Amendments and concretisations in section 1.1.3, 4.4.1, 6.1.1</li> </ul>

# Contents

- 1. Introduction .....7
- 1.1 Overview .....7
- 1.2 Document name and identification .....18
- 1.3 PKI entities .....18
- 1.4 Certificate usage.....18
- 1.5 Policy administration .....18
- 1.6 Definitions and acronyms.....19
- 2. Publication and Repository Responsibility .....19
- 2.1 Repositories .....19
- 2.2 Publication of certificate information.....20
- 2.3 Publication frequency .....20
- 2.4 Repository access control.....21
- 2.5 Access to and use of services .....21
- 3. Identification and Authentication .....21
- 3.1 Naming .....21
- 3.2 Initial identity verification .....26
- 3.3 Identification and authentication for re-keying requests .....30
- 3.4 Identification and authentication of revocation requests .....30
- 4. Operational Requirements.....31
- 4.1 Certificate request and registration .....31
- 4.2 Processing the certificate request.....31
- 4.3 Certificate issuance .....32
- 4.4 Certificate handover.....32
- 4.5 Key pair and certificate usage.....33
- 4.6 Certificate renewal .....33
- 4.7 Certificate renewal with re-keying .....33
- 4.8 Certificate modification .....34
- 4.9 Certificate revocation and suspension .....34
- 4.10 Certificate status services .....37
- 4.11 Withdrawal from the certification service.....37
- 4.12 Key escrow and recovery .....37
- 5. Facility, Management and Operational Controls .....38
- 5.1 Physical controls .....38
- 5.2 Procedural controls .....38
- 5.3 Personnel controls .....38
- 5.4 Audit logging procedures .....39
- 5.5 Records archival .....39
- 5.6 Key change at the TSP .....39
- 5.7 Compromise and disaster recovery at the TSP .....39
- 5.8 Closure of the TSP or termination of services.....40
- 6. Technical Security Controls .....40
- 6.1 Key pair generation and installation .....40
- 6.2 Private key protection and cryptographic module engineering controls .....41
- 6.3 Other aspects of key pair management.....42
- 6.4 Activation data .....43
- 6.5 Computer security controls .....43
- 6.6 Life cycle technical controls.....44
- 6.7 Network security controls.....44
- 6.8 Time stamps .....44
- 7. Profiles of Certificates, Certificate Revocation Lists and OCSP.....44
- 7.1 Certificate profiles.....44
- 7.2 CRL profiles .....45

7.3	OCSP profiles .....	45
8.	Compliance Audit and Other Assessments .....	46
9.	Other Business and Legal Matters .....	46

# 1. Introduction

## 1.1 Overview

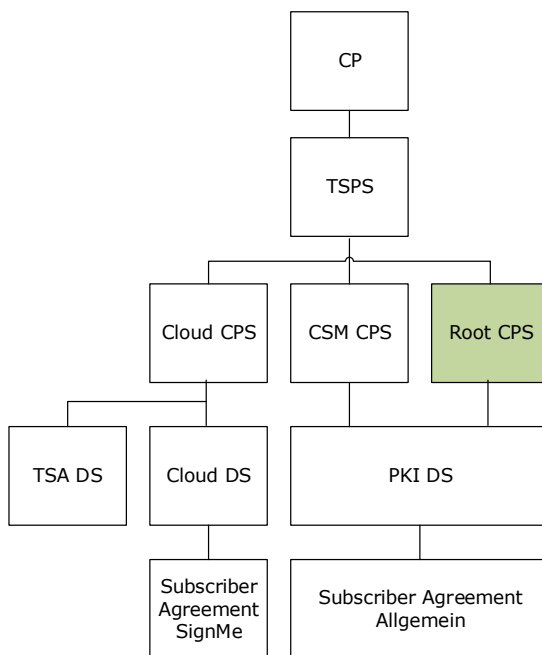
This document is the Certification Practice Statement (CPS) for the trust services operated by D-Trust GmbH that are provided via the D-TRUST Root PKI. The document name is abbreviated **Root CPS** and is subject to the Trust Service Practice Statement of D-TRUST (abbreviated as TSPS) and the Certificate Policy (referred to here as CP).

### 1.1.1 Trust service provider

These rules are documented in the CP.

### 1.1.2 About this document

The following diagram shows the document hierarchy used by D-Trust GmbH. The green marking highlights the document, which you are currently reading.



References are shown as follows:

- **These rules are documented in the CP.**  
Rules that refer to certificate policies are documented in the CP.
- **The general rules are documented in the TSPS.**  
The general rules are documented in the TSPS and the specific rules remain in the CPS.
- **Other rules are documented in the TSPS.**  
In addition to the specific rules in the CPS, there are also other rules that are documented in the TSPS.
- **These rules are documented in the TSPS.**  
Rules are described in the TSPS only.



This CPS refers to the CP (Certificate Policy) of D-Trust GmbH with OID 1.3.6.1.4.1.4788.2.200.1, the TSPS (D-TRUST Trust Service Practice Statement) and to EN 319 411-1 or EN 319 411-2, respectively and describes the implementation of the resultant requirements.

Unless this document distinguishes between the certification requirements or policy levels according to section 1.1.3 or unless certain policy levels are expressly ruled out, the requirements or provisions of the respective sections are applicable to all certificates pursuant to the classification of the Certificate Policy of D-Trust GmbH.

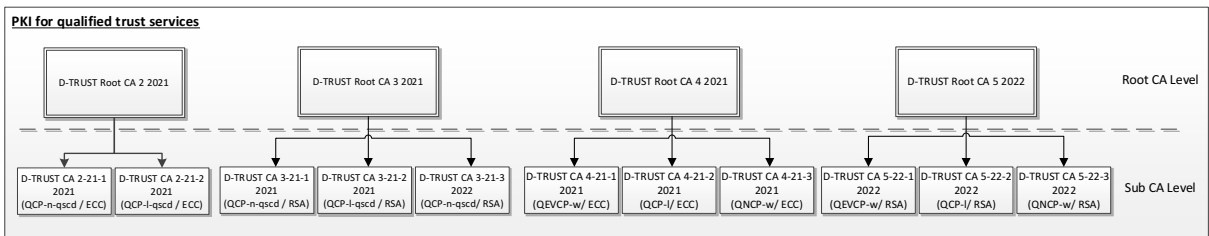
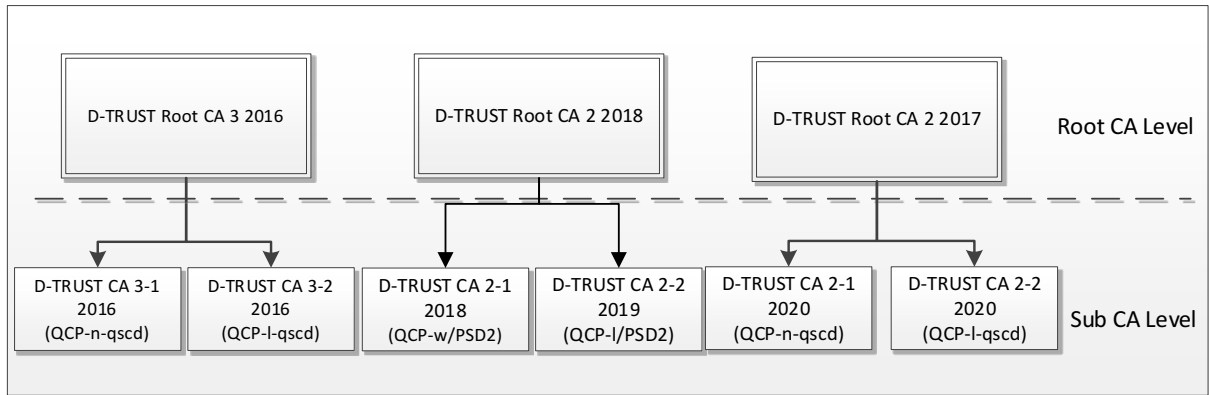
The structure of this document is based on the RFC 3647 Internet standard: "Internet X.509 Public Key Infrastructure: Certificate Policy and Certification Practices Framework".

Other rules are documented in the TSPS.

### 1.1.3 Properties of the PKI

The PKI described here features a multi-level hierarchy. Figs. 1, 2 and 3 show PKI set-ups for qualified and non-qualified trust services. It always consists of a chain which begins with a root CA (root authority or trust anchor) which is optionally followed by further sub-CAs (intermediate CAs). The last sub-CA of this chain is the issuing CA which issues EE certificates.

#### PKI for qualified trust services



**Fig. 1: Currently valid PKI hierarchy for qualified trust services<sup>1</sup>**

<sup>1</sup> The following sub-CAs in Fig. 1 are included in the Federal Network Agency’s Trusted List and have been put into operation: D-TRUST CA 2-21-1 2021, D-TRUST CA 2-21-2 2021, D-TRUST CA 3-21-1 2021, D-TRUST CA 3-21-2 2021, D-TRUST CA 3-21-3 2022, D-TRUST CA 4-21-1 2021, D-TRUST CA 4-21-2 2021, D-TRUST CA 4-21-3 2021 and the sub-CAs from the D-TRUST Root CA 5 2022.

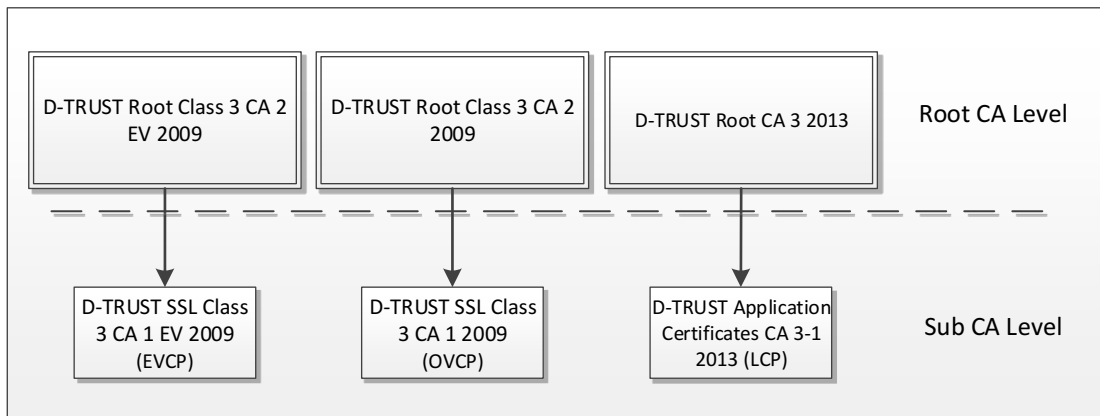
Remarks: In addition to qualified end-user certificates for signature purposes the sub-CA „D-TRUST CA 3-21-3 2022“ issues non-qualified end-user certificates for authentication purposes. These two types of certificates are delivered together to the end-user on a qscd.

Depending on their features, EE certificates can be assigned to the requirements of the different policies (policy level) within [EN 319 411-2]:

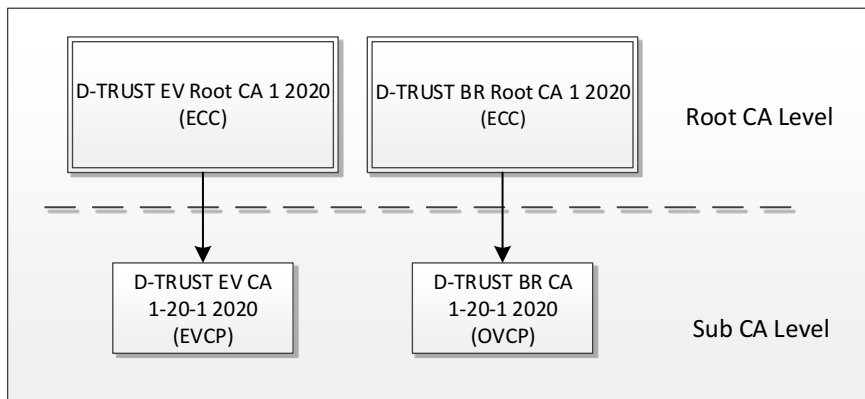
- QCP-n-qscd – Qualified personal certificates on a qualified signature creation device
- QCP-l-qscd – Qualified seal certificates on a qualified signature creation device (QSealC)
- QCP-l – Qualified seal certificates without a qualified signature creation device (QSealC)
- QEVCP-w and QNCP-w – Qualified Website Certificates (QWACs)

The policy levels are explained in the TSPS.

**PKI for publicly trusted services<sup>2</sup> (non-qualified trust services )**



**Fig. 2: Currently valid PKI hierarchy for publicly trusted services**



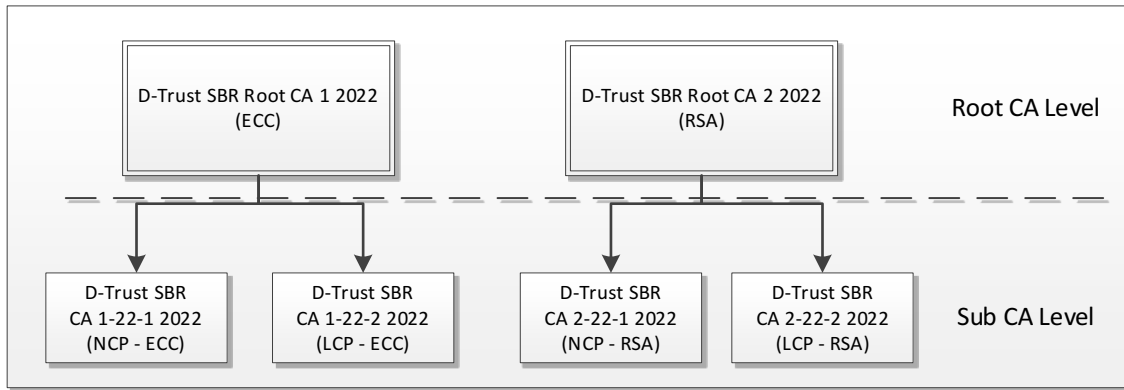
**Fig. 3: PKI hierarchy for publicly trusted TLS services in the "CA root inclusion" process<sup>3</sup>**

The "D-TRUST Root CA 2 2021" replaces the "D-TRUST Root CA 2 2017" and the "D-TRUST Root CA 3 2021" replaces the "D-TRUST Root CA 3 2016". The "D-TRUST Root CA 4 2021" replaces the "D-TRUST Root CA 2 2018".

No new certificates will be created from the sub CAs of the "D-TRUST Root CA 2 2018" from 14 January 2021 onwards.

<sup>2</sup> "Publicly trusted" services are trust services according to the specifications of the Certificate Consumer members of the CA Browser/Forum combined with the specifications of the CA Browser/Forum.

<sup>3</sup>In future, the "D-TRUST EV Root CA 1 2020" root CA is to replace the existing "D-TRUST Root Class 3 CA 2 EV 2009" root CA and is listed here for information purposes. In future, the "D-TRUST BR Root CA 1 2020" root CA is to replace the existing "D-TRUST Root Class 3 CA 2 2009" root CA and is listed here for information purposes.



**Fig. 4: PKI hierarchy for publicly trusted S/MIME services in the “CA root inclusion” process<sup>4</sup>**

Depending on their features, EE certificates can be assigned to the requirements of the different policies (policy level) within EN 319 411-1:

- NCP – Normalized Certificate Policy (currently only informative)
- LCP – Lightweight Certificate Policy
- OVCP – Organizational Validation Certificate Policy
- EVCP – Extended Validation Certificate Policy

The policy levels are explained in the TSPS.

**CA certificates**

The complete overview of all root CAs and sub-CAs with policy levels QEVCP-w, QNCP-w, EVCP, OVCP, NCP and LCP, showing which specifications document applies to the respective CA application, can be found in the repository:

[https://www.d-trust.net/files/dokumente/pdf/pki\\_structure\\_and\\_applicable\\_documents.pdf](https://www.d-trust.net/files/dokumente/pdf/pki_structure_and_applicable_documents.pdf)

The following table provides an overview of all root CAs and the associated sub-CAs to which this CPS applies.

D-TRUST Root CA 3 2016  
[https://www.d-trust.net/cgi-bin/D-TRUST\\_Root\\_CA\\_3\\_2016.crt](https://www.d-trust.net/cgi-bin/D-TRUST_Root_CA_3_2016.crt)  
 Fingerprint:  
 SHA1: 16ABFE955BBA80F0D7079D240188C633DF5DDB7F  
 SHA256: 828F0AA17DC578DB836FBCAFB60BEFEBAC1551080AEB60D1264DDBB1561230EA

<sup>4</sup> The “D-Trust SBR Root CA 1 2022” root CA with ECC keys and the “D-Trust SBR Root CA 2 2022” with RSA keys are in the “CA Root Inclusion” process and in future, they will replace the existing “D-TRUST Root CA 3 2013” root CA and are listed here for information purposes.

<p>D-TRUST CA 3-1 2016</p> <p><a href="https://www.d-trust.net/cgi-bin/D-TRUST_CA_3-1_2016.crt">https://www.d-trust.net/cgi-bin/D-TRUST CA 3-1 2016.crt</a></p> <p>Policy Level: QCP-n-qscd</p> <p>Fingerprint:                  SHA1: 38A577328FAD50472F94D47AB433D88F8F36A22D                  SHA256: 454A164B9236CF9C380DF9959F751DED503F91BE3EC646C7042CBB0E1E17A7D5                  OID: 1.3.6.1.4.1.4788.2.150.1</p>
<p>D-TRUST CA 3-2 2016</p> <p><a href="https://www.d-trust.net/cgi-bin/D-TRUST_CA_3-2_2016.crt">https://www.d-trust.net/cgi-bin/D-TRUST CA 3-2 2016.crt</a></p> <p>Policy Level: QCP-l-qscd</p> <p>Fingerprint:                  SHA1: 7927b0fda41b2a2465aa4e727d8bac8dd0db5aad                  SHA256: 44AD63979AF0794DB890B96A9BE63A17F5ADF7AC47FE91B008FF04E3EEB9FCCD                  OID: 1.3.6.1.4.1.4788.2.150.2</p>
<p>D-TRUST Root CA 2 2018 (Legacy)</p> <p><a href="https://www.d-trust.net/cgi-bin/D-TRUST_Root_CA_2_2018.crt">https://www.d-trust.net/cgi-bin/D-TRUST Root CA 2 2018.crt</a></p> <p>Fingerprint:                  SHA1: 4B467FB8D2051D7BC4CDB73377FA7077034BCCE1                  SHA256: 113BBD9EFFFA4C743D6D09038DC0AAB1A5F1FAD7492868193917C63D82D74FA1</p>
<p>D-TRUST CA 2-1 2018 (Legacy)</p> <p><a href="https://www.d-trust.net/cgi-bin/D-TRUST_CA_2-1_2018.crt">https://www.d-trust.net/cgi-bin/D-TRUST CA 2-1 2018.crt</a></p> <p>Policy Level: QEVCP-w</p> <p>Fingerprint:                  SHA1: 5982BDD5E228E4869461713710CC5C3DDE006C43                  SHA256: 5F28B888456D21158C5E3E8A31719CF3B305300BC5B436B696BE22F6973F1DF1                  OID: 1.3.6.1.4.1.4788.2.150.4</p>
<p>D-TRUST CA 2-2 2019 (Legacy)</p> <p><a href="https://www.d-trust.net/cgi-bin/D-TRUST_CA_2-2_2019.crt">https://www.d-trust.net/cgi-bin/D-TRUST CA 2-2 2019.crt</a></p> <p>Policy Level: QCP-l</p> <p>Fingerprint: *                  SHA1: 455FD6F160938C1FCCE1EF8D4F33700F2148FF87                  SHA256: E85F41CE30CF9910CB8D12470F9E312E8F862FFED0581F5995772D8B46CB7E99                  OID: 1.3.6.1.4.1.4788.2.150.5</p>
<p>D-TRUST Root CA 2 2017</p> <p><a href="http://www.d-trust.net/cgi-bin/D-TRUST_Root_CA_2_2017.crt">http://www.d-trust.net/cgi-bin/D-TRUST Root CA 2 2017.crt</a></p> <p>Fingerprint:                  SHA1: 357BB8CC3855B401F7C64CFF35689F83C860374D                  SHA256: E152527EB90B3034818589D31C3CC4EE1C896446AC4E29EA8F546B3419165B90</p>

<p>D-TRUST CA 2-1 2020</p> <p><a href="https://www.d-trust.net/cgi-bin/D-TRUST_Root_CA_2-1_2020.crt">https://www.d-trust.net/cgi-bin/D-TRUST_Root_CA_2-1_2020.crt</a></p> <p>Policy Level: QCP-n-qscd</p> <p>Fingerprint: *</p> <p>SHA1: D00C842434F42BD4903518CA3B0E9EC49976EE2F</p> <p>SHA256: A5D944F0C6598C8A3A421AB320DD6E82E1C7A373B4812FFB2508F638804082AB</p> <p>OID: 1.3.6.1.4.1.4788.2.150.1</p>
<p>D-TRUST CA 2-2 2020</p> <p><a href="https://www.d-trust.net/cgi-bin/D-TRUST_Root_CA_2-2_2020.crt">https://www.d-trust.net/cgi-bin/D-TRUST_Root_CA_2-2_2020.crt</a></p> <p>Policy Level: QCP-l-qscd</p> <p>Fingerprint: *</p> <p>SHA1: ECE3B420B2FE38F56E036A8D507FFDA229024CE3</p> <p>SHA256: C0671426DE62A9BAA23C28EF9EFF21B5C3DDF0673BEE59EA43B0CE0C6E30FE85</p> <p>OID: 1.3.6.1.4.1.4788.2.150.2</p>
<p>D-TRUST Root Class 3 CA 2 EV 2009</p> <p><a href="https://www.d-trust.net/cgi-bin/D-TRUST_Root_Class_3_CA_2_EV_2009.crt">https://www.d-trust.net/cgi-bin/D-TRUST_Root_Class_3_CA_2_EV_2009.crt</a></p> <p>Fingerprint:</p> <p>SHA1: 96C91B0B95B4109842FAD0D82279FE60FAB91683</p> <p>SHA256: EEC5496B988CE98625B934092EEC2908BED0B0F316C2D4730C84EAF1F3D34881</p>
<p>D-TRUST SSL Class 3 CA 1 EV 2009</p> <p><a href="https://www.d-trust.net/cgi-bin/D-TRUST_SSL_Class_3_CA_1_EV_2009.crt">https://www.d-trust.net/cgi-bin/D-TRUST_SSL_Class_3_CA_1_EV_2009.crt</a></p> <p>Policy Level: EVCP</p> <p>Fingerprint:</p> <p>SHA1: 1069423D308D0FC54575059638560FC7556E32B3</p> <p>SHA256: B0935DC04B4E60C0C42DEF7EC57A1B1D8F958D17988E71CC80A8CF5E635BA5B4</p> <p>OID: 1.3.6.1.4.1.4788.2.202.1</p>
<p>D-TRUST Root Class 3 CA 2 2009</p> <p><a href="https://www.d-trust.net/cgi-bin/D-TRUST_Root_Class_3_CA_2_2009.crt">https://www.d-trust.net/cgi-bin/D-TRUST_Root_Class_3_CA_2_2009.crt</a></p> <p>Fingerprint:</p> <p>SHA1: 58E8ABB0361533FB80F79B1B6D29D3FF8D5F00F0</p> <p>SHA256: 49E7A442ACF0EA6287050054B52564B650E4F49E42E348D6AA38E039E957B1C1</p>
<p>D-TRUST SSL Class 3 CA 1 2009</p> <p><a href="https://www.d-trust.net/cgi-bin/D-TRUST_SSL_Class_3_CA_1_2009.crt">https://www.d-trust.net/cgi-bin/D-TRUST_SSL_Class_3_CA_1_2009.crt</a></p> <p>Policy Level: OVCP</p> <p>Fingerprint:</p> <p>SHA1: 2FC5DE6528CDBE50A14C382FC1DE524FAABF95FC</p> <p>SHA256: 6AC159B4C2BC8E729F3B84642EF1286BCC80D775FE278C740ADA468D59439025</p> <p>OID: 1.3.6.1.4.1.4788.2.200.1</p>

<p>D-TRUST Root CA 3 2013</p> <p><a href="https://www.d-trust.net/cgi-bin/D-TRUST_Root_CA_3_2013.crt">https://www.d-trust.net/cgi-bin/D-TRUST_Root_CA_3_2013.crt</a></p> <p>Fingerprint: SHA1: 6C7CCCE7D4AE515F9908CD3FF6E8C378DF6FeF97 SHA256: A1A86D04121EB87F027C66F53303C28E5739F943FC84B38AD6AF009035DD9457</p>
<p>D-TRUST Application Certificates CA 3-1 2013</p> <p><a href="https://www.d-trust.net/cgi-bin/D-TRUST_Application_Certificates_CA_3-1_2013.crt">https://www.d-trust.net/cgi-bin/D-TRUST_Application_Certificates_CA_3-1_2013.crt</a></p> <p>Policy Level: LCP (1.3.6.1.4.1.4788.2.200.2), NCP (1.3.6.1.4.1.4788.2.200.3)</p> <p>Fingerprint: SHA1: 1785B07501F0FCEFFC97C6B070C255A8A9B99F12 SHA256: CB0F7B7670EA2B818ABE80587902434B30EF7A8C0273B84884243F89593EA630 OID in CA certificate: 1.3.6.1.4.1.4788.2.200.1 (Legacy)</p>
<p>D-TRUST EV Root CA 1 2020 (ECC) – Currently in the “CA root inclusion” process</p> <p><a href="https://www.d-trust.net/cgi-bin/D-TRUST_EV_Root_CA_1_2020.crt">https://www.d-trust.net/cgi-bin/D-TRUST_EV_Root_CA_1_2020.crt</a></p> <p>Fingerprint: SHA1: 61DB8C2159690390D87C9C128654CF9D3DF4DD07 SHA256: 08170D1AA36453901A2F959245E347DB0C8D37ABAABC56B81AA100DC958970DB</p>
<p>D-TRUST EV CA 1-20-1 2020 – Currently in the “CA root inclusion” process</p> <p><a href="https://www.d-trust.net/cgi-bin/D-TRUST_EV_CA_1-20-1_2020.crt">https://www.d-trust.net/cgi-bin/D-TRUST_EV_CA_1-20-1_2020.crt</a></p> <p>Policy Level: EVCP</p> <p>Fingerprint: SHA1: 8D01990148D7148C61B3C0B3F743A353F401BA6C SHA256: 41C897473B0369FA74B1F4F9D7F89129485C1A305C0719A867DC8714E0870200 OID: 1.3.6.1.4.1.4788.2.202.1 (D-TRUST EV OID) OID: 2.23.140.1.1 (CA/Browser Forum EV OID)</p>
<p>D-TRUST BR Root CA 1 2020 (ECC) – Currently in the “CA root inclusion” process</p> <p><a href="https://www.d-trust.net/cgi-bin/D-TRUST_BR_Root_CA_1_2020.crt">https://www.d-trust.net/cgi-bin/D-TRUST_BR_Root_CA_1_2020.crt</a></p> <p>Fingerprint: SHA1: 1F5B98F0E3B5F7743CEDE6B0367D32CDF4094167 SHA256: E59AAA816009C22BFF5B25BAD37DF306F049797C1F81D85AB089E657BD8F0044</p>
<p>D-TRUST BR CA 1-20-1 2020 – Currently in the “CA root inclusion” process</p> <p><a href="https://www.d-trust.net/cgi-bin/D-TRUST_BR_CA_1-20-1_2020.crt">https://www.d-trust.net/cgi-bin/D-TRUST_BR_CA_1-20-1_2020.crt</a></p> <p>Policy Level: OVCP</p> <p>Fingerprint: SHA1: 16407AFD6EE36C777730AE95D6C6286ECE4C389F SHA256: 199AB2AAAFF40401E0A3B7B87EE9964659EFFA94A1FECBE918AE136E4B4E0A8 OID: 1.3.6.1.4.1.4788.2.202.2 (D-TRUST OV OID) OID: 2.23.140.1.2.2 (CA/Browser Forum OV OID)</p>

<p>D-TRUST Root CA 2 2021 (ECC, P-384)  <a href="https://www.d-trust.net/cgi-bin/D-TRUST_Root_CA_2_2021.crt">https://www.d-trust.net/cgi-bin/D-TRUST_Root_CA_2_2021.crt</a>                      Fingerprint:                      SHA1: 468C467671DD4F1A38145104C353C99276107702                      SHA256: E7A79A64F101897903D5B054564672E5D5C803437405D15321A1A5763710AF70</p>
<p>D-TRUST CA 2-21-1 2021 (ECC, P-384)  <a href="https://www.d-trust.net/cgi-bin/D-TRUST_CA_2-21-1_2021.crt">https://www.d-trust.net/cgi-bin/D-TRUST_CA_2-21-1_2021.crt</a>                      Policy Level: QCP-n-qscd                      Fingerprint:                      SHA1: F78B7AA28BACD8E004C1A7FEEE7BD035BC1B5AD7                      SHA256: 620BA94502329A506F3A2AFB6500DA9FA437C946E8D6E4B7C2148C29C8E76A8E                      OID: 1.3.6.1.4.1.4788.2.150.1</p>
<p>D-TRUST CA 2-21-2 2021 (ECC, P-384)  <a href="https://www.d-trust.net/cgi-bin/D-TRUST_CA_2-21-2_2021.crt">https://www.d-trust.net/cgi-bin/D-TRUST_CA_2-21-2_2021.crt</a>                      Policy Level: QCP-l-qscd                      Fingerprint:                      SHA1: BC0FA0A53582E8E5434F0AEACCEE32A2C3CD9443                      SHA256: B3472A9A9DB78EBBC260EA628BD44B593C3D7B1367F25DFAD659FF5E9198B0DF                      OID: 1.3.6.1.4.1.4788.2.150.2</p>
<p>D-TRUST Root CA 3 2021 (RSA, 4096 Bit)  <a href="https://www.d-trust.net/cgi-bin/D-TRUST_Root_CA_3_2021.crt">https://www.d-trust.net/cgi-bin/D-TRUST_Root_CA_3_2021.crt</a>                      Fingerprint:                      SHA1: E4F95E877D3D6519336040A2B0C853F8A1B57194                      SHA256: 390F7FE59E7AEE6D271527CFA0D53B2E67B3F7FABECEDB65FB10AAFF34F13FF2</p>
<p>D-TRUST CA 3-21-1 2021 (RSA, 4096 Bit)  <a href="https://www.d-trust.net/cgi-bin/D-TRUST_CA_3-21-1_2021.crt">https://www.d-trust.net/cgi-bin/D-TRUST_CA_3-21-1_2021.crt</a>                      Policy Level: QCP-n-qscd                      Fingerprint:                      SHA1: 9F729EFAF98688C7F946ED8012A8773088B037C1                      SHA256: C67EBB0BFA6497ACFBD5423ED5A2DA5497E82092A4C475200DCC273CC8CFC69C                      OID: 1.3.6.1.4.1.4788.2.150.1</p>
<p>D-TRUST CA 3-21-2 2021 (RSA, 4096 Bit)  <a href="https://www.d-trust.net/cgi-bin/D-TRUST_CA_3-21-2_2021.crt">https://www.d-trust.net/cgi-bin/D-TRUST_CA_3-21-2_2021.crt</a>                      Policy Level: QCP-l-qscd                      Fingerprint:                      SHA1: 767E3E3FDE06FE00199205F36B4EA7723562133C                      SHA256: E628B19986782CEB2094DB982E749ADCD7CA02C58DB0C7B8B2ECE7869A07897A                      OID: 1.3.6.1.4.1.4788.2.150.2</p>

<p>D-TRUST CA 3-21-3 2022 (RSA, 4096 Bit)<sup>5</sup>  <a href="https://www.d-trust.net/cgi-bin/D-TRUST_CA_3-21-3_2022.crt">https://www.d-trust.net/cgi-bin/D-TRUST_CA_3-21-3_2022.crt</a>                      Policy Level: QCP-n-qscd                      Fingerprint:                      SHA1: 5601F434AB54C3EADDBEBA430ABD9B40065E2341                      SHA256: 0DF80683B392814EF75A12F665A810D36D0754FB297F24C65729C7A771022A5B                      OID: 1.3.6.1.4.1.4788.2.150.1</p>
<p>D-TRUST Root CA 4 2021 (ECC, P-384)  <a href="https://www.d-trust.net/cgi-bin/D-TRUST_Root_CA_4_2021.crt">https://www.d-trust.net/cgi-bin/D-TRUST_Root_CA_4_2021.crt</a>                      Fingerprint:                      SHA1: A48CDA4E279A7E8996BF2D1EF1263DD16068092A                      SHA256: 70A9EF005779FCEE0619A644AF439FD3AF3379E645530F35BD6AE68EFF19D2BF</p>
<p>D-TRUST CA 4-21-1 2021 (ECC, P-384)  <a href="https://www.d-trust.net/cgi-bin/D-TRUST_CA_4-21-1_2021.crt">https://www.d-trust.net/cgi-bin/D-TRUST_CA_4-21-1_2021.crt</a>                      Policy Level: QEVCP-w                      Fingerprint:                      SHA1: 74B857941F0EB9BC0FB9A3FEA83AEA836E0A5E22                      SHA256: 4EA66AB8FC54D446F6A46A63F0FCA5FE83A1F433CDE771DE8D1A8BE06647D008                      OID: 1.3.6.1.4.1.4788.2.150.4</p>
<p>D-TRUST CA 4-21-2 2021 (ECC, P-384)  <a href="https://www.d-trust.net/cgi-bin/D-TRUST_CA_4-21-2_2021.crt">https://www.d-trust.net/cgi-bin/D-TRUST_CA_4-21-2_2021.crt</a>                      Policy Level: QCP-I                      Fingerprint:                      SHA1: 07BBB6424795283CC3757E91642AF95055DB85D4                      SHA256: 5EF6EB4690E15C57C25A0296A9A93488B86AA5878A3DFC0859855CC5EB378A00                      OID: 1.3.6.1.4.1.4788.2.150.5</p>
<p>D-TRUST CA 4-21-3 2021 (ECC, P-384)  <a href="https://www.d-trust.net/cgi-bin/D-TRUST_CA_4-21-3_2021.crt">https://www.d-trust.net/cgi-bin/D-TRUST_CA_4-21-3_2021.crt</a>                      Policy Level: QNCP-w                      Fingerprint:                      SHA1: EF175B7CC271EFEC0406EDB610C909DF88FA8202                      SHA256: 884864ACDB55E55BF1E5CF648EF434491E2F6990FF4A952E3FA4763A1A6C33BB                      OID: 1.3.6.1.4.1.4788.2.150.3</p>

<sup>5</sup> Remarks: In addition to qualified end-user certificates for signature purposes the sub-CA „D-TRUST CA 3-21-3 2022“ issues non-qualified end-user certificates for authentication purposes. These two types of certificates are delivered together to the end-user on a qscd.



<p>D-TRUST Root CA 5 2022 (RSA, 4096)</p> <p><a href="https://www.d-trust.net/cgi-bin/D-TRUST_Root_CA_5_2022.crt">https://www.d-trust.net/cgi-bin/D-TRUST_Root_CA_5_2022.crt</a></p> <p>Fingerprint: SHA1: 643211332169B483B55F7046E56CBFC6C11DC5F8</p> <p>SHA256: D839672F984DCA7CD480CE201627A4DE61C5C1855F450E5B706200E73A23F047</p>
<p>D-TRUST CA 5-22-1 2022 (RSA, 4096)</p> <p><a href="https://www.d-trust.net/cgi-bin/D-TRUST_CA_5-22-1_2022.crt">https://www.d-trust.net/cgi-bin/D-TRUST_CA_5-22-1_2022.crt</a></p> <p>Policy Level: QEVCP-w</p> <p>Fingerprint: SHA1: 5B26CCEEC541B3886A76761A9503667027C8B94A</p> <p>SHA256: A028FB2822D0C2699A451B7083A984318F7A0102A3B42F5B089D99CF3F9149C3</p> <p>OID: 1.3.6.1.4.1.4788.2.150.4</p>
<p>D-TRUST CA 5-22-2 2022 (RSA, 4096)</p> <p><a href="https://www.d-trust.net/cgi-bin/D-TRUST_CA_5-22-2_2022.crt">https://www.d-trust.net/cgi-bin/D-TRUST_CA_5-22-2_2022.crt</a></p> <p>Policy Level: QCP-I</p> <p>Fingerprint: SHA1: 34156C420F146160795B5E2CC4EF343C258C16BF</p> <p>SHA256: F0A1CA5FC42E6A8514C63415054F14EF7BB961ADBC7A94185D8E410A905B8109</p> <p>OID: 1.3.6.1.4.1.4788.2.150.5</p>
<p>D-TRUST CA 5-22-3 2022 (RSA, 4096)</p> <p><a href="https://www.d-trust.net/cgi-bin/D-TRUST_CA_5-22-3_2022.crt">https://www.d-trust.net/cgi-bin/D-TRUST_CA_5-22-3_2022.crt</a></p> <p>Policy Level: QNCP-w</p> <p>Fingerprint: SHA1: 8A259DBB8B8C3AB5971B94590C7BABAFE57B5E1F</p> <p>SHA256: D9B38F7314AAB95DE57B63784F7D123D031C4FED6D8F66ED55A91BD05FEA818B</p> <p>OID: 1.3.6.1.4.1.4788.2.150.3</p>
<p>D-Trust SBR Root CA 1 2022 (ECC, P-384)</p> <p><a href="https://www.d-trust.net/cgi-bin/D-Trust_SBR_Root_CA_1_2022.crt">https://www.d-trust.net/cgi-bin/D-Trust_SBR_Root_CA_1_2022.crt</a></p> <p>Fingerprint: SHA1: 0F523A6B4E7D1D1805A548F94DCDE4C31E1BE9E6</p> <p>SHA256: D92C171F5CF890BA428019292927FE22F3207FD2B54449CB6F675AF4922146E2</p>

<p>D-Trust SBR CA 1-22-1 2022 (ECC, P-384)</p> <p><a href="https://www.d-trust.net/cgi-bin/D-Trust_SBR_CA_1-22-1_2022.crt">https://www.d-trust.net/cgi-bin/D-Trust_SBR_CA_1-22-1_2022.crt</a></p> <p>Policy Level: NCP</p> <p>Fingerprint: SHA1: 51575F287395A0B53EC2807631ED205134E4AAA9</p> <p>SHA256: 31FFA8D3F2439C62F2363FE56F4E245382A6D69D8A828B3539FA3875F8C5235B</p> <p>OID: 1.3.6.1.4.1.4788.2.200.3</p>
<p>D-Trust SBR CA 1-22-2 2022 (ECC, P-384)</p> <p><a href="https://www.d-trust.net/cgi-bin/D-Trust_SBR_CA_1-22-2_2022.crt">https://www.d-trust.net/cgi-bin/D-Trust_SBR_CA_1-22-2_2022.crt</a></p> <p>Policy Level: LCP</p> <p>Fingerprint: SHA1: C3288BB25E4E49AC4590999BF73875B1D48F6037</p> <p>SHA256: 200E2C50111A71B07555E921D3BFB7EBDE47F7E41873E06753474362BC017BA2</p> <p>OID: 1.3.6.1.4.1.4788.2.200.2</p>
<p>D-Trust SBR Root CA 2 2022 (RSA, 4096)</p> <p><a href="https://www.d-trust.net/cgi-bin/D-Trust_SBR_Root_CA_2_2022.crt">https://www.d-trust.net/cgi-bin/D-Trust_SBR_Root_CA_2_2022.crt</a></p> <p>Fingerprint: SHA1: 27FF63B9EF34293103381AD86060DACC602835E1</p> <p>SHA256: DBA84DD7EF622D485463A90137EA4D574DF8550928F6AFA03B4D8B1141E636CC</p>
<p>D-Trust SBR CA 2-22-1 2022 (RSA, 4096)</p> <p><a href="https://www.d-trust.net/cgi-bin/D-Trust_SBR_CA_2-22-1_2022.crt">https://www.d-trust.net/cgi-bin/D-Trust_SBR_CA_2-22-1_2022.crt</a></p> <p>Policy Level: NCP</p> <p>Fingerprint: SHA1: 557FFA0723CF6B21B88D2576C13615251E309668</p> <p>SHA256: CED8E0893E52A1C96AE65D9955A908C45003D7CEADE56B3E4717FD8F00EE0743</p> <p>OID: 1.3.6.1.4.1.4788.2.200.3</p>
<p>D-Trust SBR CA 2-22-2 2022 (RSA, 4096)</p> <p><a href="https://www.d-trust.net/cgi-bin/D-Trust_SBR_CA_2-22-2_2022.crt">https://www.d-trust.net/cgi-bin/D-Trust_SBR_CA_2-22-2_2022.crt</a></p> <p>Policy Level: LCP</p> <p>Fingerprint: SHA1: 6A1460777BA94726D2215D8853E9AC775A0D9C5A</p> <p>SHA256: 6E87C6E63C8BEE394908B97D1079F8FF88C3930E0EBEC5708C159E2B83247FF0</p> <p>OID: 1.3.6.1.4.1.4788.2.200.2</p>

Both CA and EE certificates can contain references to CPs or OIDs which define detailed requirements and restrictions.

## 1.2 Document name and identification

Document name: Certification Practice Statement of the D-TRUST Root PKI  
Version 3.10

## 1.3 PKI entities

### 1.3.1 Certification authorities (CAs)

These rules are documented in the TSPS.

### 1.3.2 Registration authorities (RAs)

These rules are documented in the TSPS.

### 1.3.3 Subscribers and end-entities (EEs)

These rules are documented in the TSPS.

### 1.3.4 Relying parties (RPs)

These rules are documented in the TSPS.

## 1.4 Certificate usage

### 1.4.1 Permitted certificate usage

These rules are documented in the TSPS.

### 1.4.2 Forbidden certificate usage

These rules are documented in the TSPS.

### 1.4.3 Service certificate usage

These rules are documented in the TSPS.

## 1.5 Policy administration

### 1.5.1 Responsibility for the document

These rules are documented in the TSPS.

### 1.5.2 Reporting security incidents with certificates

These rules are documented in the CP.

### 1.5.3 Compatibility of CPs of external CAs with this CPS

The general rules are documented in the TSPS.

**QCP-n-qscd, QCP-l-qscd, QCP-l**

Certificates or their sub-CAs and root CAs comply with the requirements of [EN 319 411-1], [EN 319 411-2] and [eIDAS]. In the event of inconsistencies between this document and the regulations above, [eIDAS] and [EN 319 411-2] have priority.

**QEVCP-w, QNCP-w, EVCP, OVCP**

TLS certificates or their sub-CAs and root CAs comply with the requirements of the "Baseline Requirements of the CA/Browser Forum" [BRG] in the version according to the references in the latest CP of D-Trust GmbH as well as [EN 319 411-1].

Moreover, TLS certificates or their sub-CAs and root CAs of QEVCP-w and EVCP policy levels additionally comply with the requirements of the "Forum Guidelines for Extended Validation Certificates" [EVGL] in the version according to the references in section 1.6.3 of the CP as well as [EN 319 411-2].

In the event of inconsistencies between this document and the guidelines referred to, [BRG] and [EN 319 411-1] as well as [EVGL] and [EN 319 411-2] (if applicable) have priority.

**QEVCP-w and QNCP-w with PSD2 extension**

TLS certificates or their sub-CAs and root CAs comply with the requirements of [EN 319 411-1], [EN 319 411-2] as well as [TS 119 495]. In the event of inconsistencies between this document and the guidelines referred to, [EN 319 411-1], [EN 319 411-2] as well as [TS 119 495] have priority.

1.6 Definitions and acronyms

1.6.1 Definitions and names

<p>D-TRUST Portal (<a href="https://portal.d-trust.net/">https://portal.d-trust.net/</a>)</p>	<p>In contrast to D-TRUST's earlier order pages, with the new certificate order portal named "D-TRUST Portal" and the "https://portal.d-trust.net/" web address, the customer or applicant registers and then receives personalized access or an account. The customer or applicant can use this account to manage (request, revoke) personal qualified signature cards or qualified signature cards applied for on behalf of a legal entity.</p>
---	---

Further rules are documented in the CP.

1.6.2 Acronyms

CP	Certificate policy
----	--------------------

Further rules are documented in the CP.

1.6.3 References

These rules are documented in the CP.

**2. Publication and Repository Responsibility**

2.1 Repositories

The status of certificates can be requested via OCSP from the repository service where they remain for up to at least one year after the certificates have expired.

**QCP-n-qscd, QCP-I-qscd, QCP-I**

The status of certificates can be permanently requested via OCSP.

Other rules are documented in the CP.

2.2 Publication of certificate information

The TSP publishes the following information:

- EE certificates
- Certificate status of TLS test websites
- The TSPS
- This CPS
- The Subscriber Agreement
- PKI user information for qualified trust services

Other rules are documented in the TSPS.

2.3 Publication frequency

**QEVCP-w, QNCP-w, EVCP, OVCP, NCP, LCP**

Prior consent to publication is a precondition for the request. Published EE certificates can be retrieved until the end of their validity term plus at least one more year and until the end of the year.

**QCP-I-qscd, QCP-I**

Prior consent to publication is a precondition for the request. Published EE certificates can be retrieved until the end of their validity term plus at least ten years and until the end of the year.

**QCP-n-qscd**

EE certificates can be published, i.e. entered in the public repository of the TSP. The subscriber can accept or refuse publication. Published EE certificates can be retrieved until the end of their validity term plus at least ten years and until the end of the year.

Publication will take place immediately after a certificate has been issued, unless publication has been refused.

CA certificates are published after their creation and maintained after the validity of the CA has expired:

- at least 10 years (QCP-n-qscd, QCP-I-qscd, QCP-I, EVCP, QEVCP-w, QNCP-w) and until the end of the year or
- at least 1 year and until the end of the year (OVCP, NCP, LCP).

Certificate revocation lists are issued regularly and until the end of validity of the issuing CA certificate. Certificate revocation lists are issued and published immediately following certificate revocation. Even if no certificates were revoked, the TSP ensures that a new certificate revocation list is created every 12 hours. The certificate revocation lists are retained and kept for a minimum period of one year following expiration of the validity of the CA.

CA revocation lists that are issued by root CAs are issued and published at least every 12 months even if no certificates were revoked. If a CA certificate is revoked, the CA revocation list is published within 24 hours.

This CPS is published and remains available for retrieval as long as the certificates that were issued on the basis of this CPS remain valid.

The websites of the TSP can be accessed publicly and free of charge 24/7.

#### 2.4 Repository access control

These rules are documented in the TSPS.

#### 2.5 Access to and use of services

These rules are documented in the CP.

### 3. Identification and Authentication

#### 3.1 Naming

##### 3.1.1 Types of names

CA and EE certificates generally contain information regarding the issuer and the subscriber and/or the end-entity (subject). In line with the [X.500] or [X.509] standard, these names are given as distinguished names.

Alternative names can be registered and included in the `subjectAltName` extension of the certificates.

##### 3.1.2 Need for telling names

The *distinguished name* used is unambiguous within this PKI if it is not an TLS certificate.

Unambiguous assignment of the certificate to the subscriber (and to the end-entity in the case of certificates for natural persons) is ensured.

In the case of alternative names (*subjectAltName*), there is no need for telling names with the exception of TLS certificates (including EV certificates).

This information may not include any references to the certificate itself. IP addresses are not permitted.

##### 3.1.3 Anonymity or pseudonyms of subscribers

Pseudonyms are used exclusively for natural persons. Pseudonyms are generally assigned by the TSP.

Freedom of choice in selecting pseudonyms can be agreed to, see section 3.1.6. The TSP reserves the right to reject assigning a particular pseudonym without having to justify the decision.

In the case of certificates that were created with pseudonyms, the TSP also records the end-entity's (and, if applicable, the subscriber's) real identity in the documentation.

##### 3.1.4 Rules for the interpretation of different name forms

The attributes of the *distinguished name* (DN components) of EE certificates are interpreted as follows:

DN component	Interpretation
G (givenName)	<i>Given name(s)</i> of the natural person <ul style="list-style-type: none"> <li>- QCP-I, QCP-I-qscd, QEVCP-w, QNCP-w, EVCP, OVCP: This field is not used.</li> <li>- QCP-n-qscd, NCP, LCP: According to the proof used for identification</li> </ul>
SN (surname)	<i>Surname</i> of the natural person <ul style="list-style-type: none"> <li>- QCP-I, QCP-I-qscd, QEVCP-w, QNCP-w, EVCP, OVCP: This field is not used.</li> <li>- QCP-n-qscd, NCP, LCP: According to the proof used for identification</li> </ul> If pseudonyms are used, SN corresponds to CN.
CN (commonName) (2.5.4.3)	<i>Common name:</i> The following variants are used: <ul style="list-style-type: none"> <li>- Natural persons without a pseudonym: "name(s) surname".</li> <li>- Natural persons with a pseudonym: "pseudonym:PN".</li> <li>- Legal entities: Official name of the organization (company, public authority, association, etc.), if necessary, reduced to a meaningful name if the maximum number of 64 characters is exceeded.</li> <li>- Domain name: A FQDN can be included in the CN. If available, this must also be stored as a SAN entry.</li> <li>- QEVCP-w, QNCP-w, EVCP: Wildcards are not used in TLS certificates for this policy level.</li> <li>- OVCP, DVCP: Wildcards can be requested.</li> <li>- Function or group of persons: Name of the function or group of persons preceded by the abbreviation "GRP:" in order to indicate that this is a group certificate</li> <li>- Technical components: Name of the server, service or application using the certificate</li> </ul>
SAN (subjectAltName)	The following variants are used: <ul style="list-style-type: none"> <li>- E-mail address of the subscriber</li> <li>- Technical components: Name of the server, service or application using the certificate</li> <li>- Special case: It is also possible to include one or more domain names in the SAN.</li> <li>- QEVCP-w, QNCP-w, EVCP: Wildcards are not used in TLS certificates for this policy level.</li> <li>- OVCP, DVCP: Wildcards can be requested.</li> </ul>
PN (pseudonym)	<i>Pseudonym:</i> Identical to CN.

DN component	Interpretation
Serial Number (serialNumber) (2.5.4.5)	<p><i>Serial number</i>: Name suffix number to ensure unambiguity of the name (typically the application number).</p> <p>Special case for EV certificates according to [EVGL]: Register number if assigned, date of registration or establishment. If the Government Entity does not have a registration number or the date of establishment identified, the field is completed with "Government Entity".</p> <p>Other product-specific uses of the field are possible.</p>
O (organizationName) (2.5.4.10)	<p>Official name of the subscriber or name of the <i>organization</i> to which the end-entity belongs or to which he or she is otherwise affiliated (company, public authority, association, etc.) according to the proof of existence; if necessary, reduced to a meaningful name if the maximum number of 64 characters is exceeded.</p> <p><b>EVCP</b>: If a brand name is included in field O, the organization name must be listed in brackets after it according to section 9.2.1 [EVGL].</p> <p><b>OVCP</b>: If a brand name is included in field O, the specifications from section 7.1.4.2.2 (b) [BRG] must be observed.</p>
OU (organizationalUnitName) (2.5.4.11)	<p>Organizational unit of the organization, such as department, division or other sub-division or</p> <p>QEVCP-w, QNCP-w: Trade name of the organization</p> <p>EVCP, OVCP: Trade name of the organization                      (from 1 September 2022, this field will no longer be used for EVCP and OVCP)</p>



DN component	Interpretation
OrgID (organizationIdentifier) (2.5.4.97)	<p><b>QCP-I-qscd:</b> <i>Unambiguous organization number</i> of the organization.</p> <p>The number of the commercial register as well as the VAT ID number or a number assigned by D-Trust can be entered.</p> <p>The number assigned by D-Trust is based on the format according to variant 3 in section 5.1.4 of EN 319 412-1 and is made up as follows:</p> <p>DT:DE-1234567890 (DT: D-TRUST; DE: Germany; random number that is unambiguously assigned to the organization).</p> <p><b>QEVCW, EVCP, OVCP:</b> This field is not used.</p> <p><b>QEVCW, QNCP-w, QCP-I and QCP-I-qscd with PSD2 extension:</b>  <i>PSD2 Authorisation Number</i></p> <p>In the case of certificates that are used in PSD2 according to [TS 119 495], the organization identifier (2.5.4.97) must be used. The "Authorisation Number" ensures unambiguity. The "Authorisation Number" comprises the following characters:</p> <p style="text-align: center;"><b>PSD&lt;cc&gt;-&lt;x..x&gt;-&lt;y..y&gt;</b></p> <p>where                      "PSD" – "legal person identity type", contains three characters;                      &lt;cc&gt; ISO 3166 country code of the national competent authority (NCA) – precisely two characters                      minus hyphen "-"                      &lt;x..x&gt; Identifier of the NCA – 2 – 8 capital letters A – Z,                      no blanks                      minus hyphen "-"                      &lt;y..y&gt; Identifier of the payment service provider, as defined by the                      NCA – any sequence of characters                      Example: PSDDE-BAFIN-1234Ab</p>
C (countryName) (2.5.4.6)	<p>The notation of the country to be stated corresponds to [ISO 3166] and is set up as follows: If an organization O is listed in the DistinguishedName, the organization's place of business in the register determines the entry in the certificate. If no organization O is entered, the country is listed that issued the document that was used to identify the subscriber.</p> <p>EVCP: According to section 9.2.6 [EVGL]</p>
Street (streetAddress) (2.5.4.9)	<p>Postal address <i>Street and Number</i></p> <p>EVCP: According to section 9.2.6 [EVGL]</p>
Locality (localityName) (2.5.4.7)	<p>Postal address <i>City</i></p> <p>EVCP: According to section 9.2.6 [EVGL]</p>

DN component	Interpretation
State (stateOrProvinceName) (2.5.4.8)	Postal address ( <i>Federal</i> ) state EVCP: According to section 9.2.6 [EVGL]
PostalCode (postalCode) (2.5.4.17)	Postal address <i>Postal code</i> EVCP: According to section 9.2.6 [EVGL]
BusinessCategory (businessCategory) (2.5.4.15)	Business category according to [EVGL] Used only in the case of EVCP The business category field must contain one of the following: "Private Organization", "Government Entity", "Business Entity", or "Non-Commercial Entity".
Jurisdiction Of Incorporation Locality (jurisdictionLocalityName)	Jurisdiction of the organization according to [EVGL]: <i>City</i> (1.3.6.1.4.1.311.60.2.1.1) Used only in the case of EVCP and when applicable according to the level of actual registration.
Jurisdiction Of Incorporation State Or Province Name (jurisdictionStateOrProvinceName)	Jurisdiction of the organization: ( <i>Federal</i> ) state (1.3.6.1.4.1.311.60.2.1.2) Used only in the case of EVCP and when applicable according to the level of actual registration.
Jurisdiction Of Incorporation CountryName (jurisdictionCountryName)	Jurisdiction of the organization according to [EVGL]: <i>Country</i> (1.3.6.1.4.1.311.60.2.1.3) Used only in the case of EVCP and when applicable according to the level of actual registration.

Further rules are documented in section 7.1.4 of the TSPS.

**QEVCP-w, QNCP-w<sup>6</sup>, EVCP**

TLS certificates contain at least the subject DN components: "organizationName", "commonName", "serialNumber", "jurisdictionCountryName" "localityName", "streetAddress", "countryName", "postalCode", "businessCategory" as well as "subjectAltName".

TLS certificates may only contain the subject DN components defined in section 9.2 [EVGL].

**QCP-n-qscd**

Qualified certificates for natural persons include, as a minimum, the subject DN components: "commonName", "countryName", "serialNumber" as well as either "GivenName" and "Surname" or "Pseudonym".

<sup>6</sup> In the case of QEVCP-w and QNCP-w certificates with PSD2 extension, the "organizationIdentifier" is additionally used and checked.

**QCP-I, QCP-I-qscd**

Qualified certificates for legal entities include, as a minimum, the subject DN components: "commonName", "countryName", "serialNumber" and "organizationName" as well as "organizationIdentifier".

It is not necessary to use all the DN components mentioned here. Further components can be added. Additional DN components must comply with [RFC 5280], [RFC 6818] and [ETSI EN 319 412].

**3.1.5 Unambiguity of names**

The TSP ensures that the subscriber's and/or end-entity's ("Subject" field) name (DistinguishedName) used in EE certificates is always assigned within this PKI to the same subscriber or end-entity, respectively.

**QCP-I, QCP-I-qscd, QCP-w, EVCP, OVCP, LCP**

The serial number ensures the unambiguity of the certificate.

The TSP ensures the unambiguity of *distinguished names* in CA certificates.

**3.1.6 Recognition, authentication and the role of brand names**

The subscriber is liable for compliance with intellectual property rights in the application and certificate data (see Certificate Policy of D-Trust GmbH, section 9.5).

**QEVCP-w, QNCP-w, EVCP**

The TSP takes any steps which are necessary to ensure that, at the time the certificate is issued, the party named in the "Subject" field of the certificate has proven control of the domain or domain components contained in the SAN field.

**QEVCP-w, QNCP-w, EVCP, OVCP**

The TSP takes the steps needed to ensure that, at the time of certificate issuance, the applicant has the proven right to use the brand name included in the certificate. The requirements of section 3.2.2.2 [BRG] and, if applicable, section 11.3 [EVGL] are complied with.

**3.2 Initial identity verification**

A procedure is established which ensures that the data sources for the validation of certificate content are checked and released in accordance with section 3.2.2.7 [BRG]. All data sources are approved by the D-Trust organizational unit for information security.

D-Trust qualifies and uses Qualified Independent Information Sources (QIIS) according to section 11.11.5 [EVGL]. QIIS is a part of the "Register" verification methods in section 4.2.1 of the TSPS.

A procedure has been established to ensure that the applicant can be reliably contacted via a verified communication method according to 11.5 [EVGL] and can confirm that they are aware of the request and agree to it.

**3.2.1 Proof of ownership of the private key**

Two cases are distinguished:

- a) Key pairs of subscribers are produced in the TSP's sphere of responsibility. The TSP forwards the signature or seal card (QCP-n-qscd, QCP-I-qscd) or soft PSE (LCP) and, if applicable, the PIN letters according to section 4.4.1 to the subscribers and thereby ensures that the subscribers receive the private keys.

Is not offered for QEVCP-w, QNCP-w, EVCP, OVCP.

- b) Key pairs are produced in the subscriber’s sphere of responsibility. Ownership of the private keys must be either technically proven or plausibly confirmed by the subscriber. By sending a PKCS#10 request to the TSP, the subscriber issues binding confirmation of being the owner of the private key (not applicable to QCP-l-qscd and QCP-n-qscd).

### 3.2.2 Identification and authentication of organizations

Organizations that are either named in the certificate or in whose names certificates are issued must provide unambiguous proof of their identity.

Subscriber identification and application checking are subject to the requirements of [EN 319 411-1] for NCP, LCP, EVCP or OVCP, or [EN 319 411-2] for QEVCP-w, QNCP-w, QCP-l or QCP-l-qscd. Verification covers all DN components.

On the different policy levels, the DN components are subjected to the validation procedures above according to section 3.1.4 plus further attributes, if necessary. The procedures shown

	QEVCP-w, EVCP	QEVCP-w and QNCP-w with PSD2	OVCP	QCP-l, QCP-l-qscd	LCP	NCP <sup>7</sup>
CN	Register/ Non-Register/ Domain/ CAA	Register/ Non-Register/ Domain/ CAA	Register/ Non-Register/ Domain/ CAA	Register/ Non-Register	HR-DB/ Dok-Ident/ Register/ Non-Register	Register/ Non-Register
C	Register/ Non-Register/ Domain	Register/ Non-Register/ Domain	Register/ Non-Register/ Domain		PersIdent/ Register/ Non-Register	Register/ Non-Register
O					Register/ Non-Register	
OrgID	n.a.	Register	n.a.	Register	n.a.	n.a.
OU <sup>8</sup>	C confirmation / A confirmation / Register	C confirmation / A confirmation / Register	C confirmation / A confirmation / Register	C confirmation / A confirmation / Register	C confirmation / A confirmation	C confirmation / A confirmation
STREET	Register/ Non-Register	Register/ Non-Register	Register/ Non-Register	Register/ Non-Register	n.a	n.a.
L						

<sup>7</sup> Applies only to organization and machine certificates, except for TLS certificates.

<sup>8</sup> For EVCP, OVCP, DVCP, LCP and NCP, the "OU" field will be omitted in the future.

	QEVCP-w, EVCP	QEVCP-w and QNCP-w with PSD2	OVCP	QCP-I, QCP-I-qscd	LCP	NCP <sup>7</sup>
State						
PostalCode						
Alternativer Antragsteller (SAN)	Domain	Domain	Domain	n.a.	Domain/ e-mail/ HR-DB	Domain/ CAA/ e-mail
Alle weiteren Attribute	n.a.	n.a.	n.a.	n.a.	A confirmation/ Dok-Ident/ out-of-band mechanisms	n.a.
BusinessCategory (businessCategory)	<b>Private Organization</b> Register <b>Government Entity</b> Register/ Non-Register <b>Business Entity</b> Register in combination with Pers-Ident <b>Non-Commercial Entity</b> Non-Register/ C confirmation	For QEVCP-w only: <b>Private Organization</b> Register <b>Government Entity</b> Register/ Non-Register <b>Business Entity</b> Register in combination with Pers-Ident <b>Non-Commercial Entity</b> Non-Register/ C confirmation	n.a.	n.a.	n.a. ü	n.a.

If the application is submitted on behalf of a legal entity, the representative must (in analogy to the procedure for proving affiliation with an organization according to section 3.2.3) prove his or her authorization to this effect and authenticate or if, applicable, identify themselves for qualified seal certificates according to QCP-I, QCP-I-qscd, according to NCP for advanced organization and machine certificates (except for TLS certificates) and according to QEVCP-w, QNCP-w and EVCP for website certificates.

A procedure has been established to ensure that the operational existence of the applicant (legal entity) is reliably verified in accordance with 11.6 [EVGL].

D-Trust obtains its information from various registration or incorporating agencies according to the "Register" verification methods in section 4.2.1 of the TSPS; these agencies are published in a table in the repository:

[https://www.d-trust.net/internet/files/D-TRUST\\_Agency-Information.pdf](https://www.d-trust.net/internet/files/D-TRUST_Agency-Information.pdf)

The relevant certificate information, which is taken from the register extracts, is written into the certificate fields exactly as it is published in the extract from the register.

**Documents in non-Latin characters are not accepted.**

3.2.3 Identification and authentication of natural persons

Natural persons applying for certificates must provide unambiguous proof of their identity and, when necessary, also that their organization has authorized them to submit the application.

**NCP, LCP**

Natural persons or legal entities who request certificates for other subscribers must prove that they are authorized to apply for certificates.

The verification methods described are applied as follows to the DN components according to section 3.1.4 plus further attributes, if necessary and applicable. The procedures mentioned are described in section 4.2.1.

	LCP	NCP	QCP-n-qscd
G	HR-DB/ Dok-Ident/ Pers-Ident/ eID	HR-DB/ Pers-Ident/ eID	Pers-Ident/ eID NotarIdent/ BotschaftsIdent
SN			
CN	HR-DB/ Dok-Ident/ Register/ Non-Register	HR-DB/ Dok-Ident/ Register/ Non-Register	Pers-Ident/ eID NotarIdent/ BotschaftsIdent
C	PersIdent/ eID Register/ Non-Register	PersIdent/ eID Register/ Non-Register	
O	Register/ Non-Register/	Register/ Non-Register	Register/ Non-Register/ C confirmation/ A confirmation
OU	C confirmation/ A confirmation	C confirmation/ A confirmation	C confirmation/ A confirmation
STREET	n.a.	n.a.	n.a.
L			
State			
PostalCode			
Alternative applicant (SAN)	Domain/ e-mail/ HR-DB	Domain/ CAA/ e-mail/ HR-DB	e-mail
All other attributes	A confirmation/ Dok-Ident/ out-of-band mechanisms	A confirmation/ Dok-Ident/ out-of-band mechanisms	A confirmation/ Dok-Ident/ out-of-band mechanisms

**QEVCP-w, QNCP-w, EVCP, OVCP, LCP, NCP**

In the case of applications for certificates for groups, functions or IT processes, all attributes shown in the table for the end-entity (except for OU, all other attributes unless relevant for the certificate) are verified. The inclusion of names for groups, functions or IT processes in the CN is subject to the procedures analogous to the "All other attributes" line.

***Documents in non-Latin characters are not accepted.***

3.2.4 Non-verified information concerning the subscriber

Verification of the subscriber's information is carried out or skipped according to sections 3.2.2, 3.2.3 and 4.2.1.

**QEVCP-w, QNCP-w, EVCP, OVCP, LCP, NCP**

All of the information in the certificate is verified.

In the case of alternative names, only the e-mail addresses or their domain components are generally verified. Other alternative names, e.g. LDAP directories, etc. as well as certificate extensions (AdditionalInformation, monetaryLimit, etc.), if any, are not checked for correctness.

TLS certificates according to QEVCP-w, QNCP-w and EVCP are an exception because the alternative name is used here to include further URLs. In these cases, domains in dNSNames are also verified.

3.2.5 Verification of request authorization

In the case of natural persons, the identity and, if necessary or applicable, the affiliation with the organization concerned is determined and verified and/or confirmed using procedures according to section 3.2.3.

In the case of organizations, proof of their existence and the applicant's right to represent the organization in question is verified and/or confirmed according to section 3.2.2. Furthermore, at least one technical representative is identified in person or using an appropriate identification method.

3.2.6 Criteria for interoperation

See section 1.5.3.

3.3 Identification and authentication for re-keying requests

Re-keying is equivalent to the production of new certificates and, if applicable, tokens and keys for the same end-entity, however, the end-entity's previously validated data and documents that are still valid can be used.

Different procedures can be agreed to on a case-to-case basis and the TSP decides on their implementation if such procedures are not subject to certification according to [EN 319 411-1] or [EN 319 411-2]. The conditions of section 4.7 must be fulfilled.

Re-keying on the basis of a certificate that has been revoked is not offered.

3.4 Identification and authentication of revocation requests

Revocation authorization is verified as follows:

- If a revocation request is received in a signed e-mail, revocation must be requested by the subscriber himself or herself, or the party requesting revocation must have been named as a third party authorized to revoke and whose certificate must be available to the TSP. (NCP and LCP only)

- In the case of revocation requests submitted by telephone or in the case of a request by e-mail without a signature, the party authorized to revoke must state the correct password.
- All written revocation requests are checked against the revocation applicant's signature.
- Electronic revocation requests submitted via an online interface can be authorized using a secret transmitted via a previously agreed to and secure channel (e.g. SMS TAN, revocation password).

Other procedures for authenticating revocation requests can be agreed to with the subscriber.

**NCP, LCP**

Revocation requests by end-entities can generally be addressed to the technical contact of the RA who then triggers a revocation order at the TSP via the agreed online interface. Unambiguous authentication of the technical contact to the online interface of the TSP is mandatory. In the event that the technical contact has communicated the revocation password to the end-entity, the end-entity can then also use other revocation methods.

Revocation procedures are defined in section 4.9.

**4. Operational Requirements**

**4.1 Certificate request and registration**

**4.1.1 Request authorization**

Applications can only be submitted by natural persons and legal entities (their authorized representatives).

The general rules are documented in the TSPS.

**NCP, LCP**

Group or team certificates are issued for legal entities and individual companies only.

**QEVCP-w, EVCP**

Subscribers must fulfil the requirements of [EVGL].

The TSP is entitled to reject requests (see section 4.2.2).

**4.1.2 Registration process and responsibilities**

The general rules are documented in the TSPS.

The QCP-n-qscd, QCP-l-qscd, QCP-l, QEVCP-w, QNCP-w, EVCP, OVCP, NCP and LCP policy levels referred to in section 1.1.3 are applicable in this CPS. The registration process and responsibilities for the respective policy level are described in the TSPS.

**4.2 Processing the certificate request**

**4.2.1 Performing identification and authentication processes**

As part of the Root CPS, different methods of identification are permitted depending on the policy level. The tables in sections 3.2.2 and 3.2.3 show which method of identification and authentication are permitted depending on the policy level. These are listed below and will be explained in the TSPS:

- Pers-Ident**
- eID**
- NotarIdent**
- BotschaftsIdent**
- Dok-Ident**
- Register**



**Non-Register**  
**HR-DB**  
**C confirmation**  
**A confirmation**  
**Out-of-band mechanisms**  
**Domain**  
**E-mail address**  
**CAA**

Identification and authentication are carried out according to sections 3.2.2 and 3.2.3.

4.2.2 Acceptance or rejection of certificate requests

These rules are documented in the TSPS.

4.2.3 Deadlines for processing certificate requests

These rules are documented in the TSPS.

4.3 Certificate issuance

4.3.1 Procedure of the TSP for issuing certificates

The general rules are documented in the TSPS.

As part of the Root CPS, the following specific rules are also applicable:

**QSCD**

When QSCDs are created, the TSP logs or records all events in an auditable manner.

**EVCP, QEVCP-w, OVCP**

When issuing TLS certificates, D-Trust GmbH uses Certificate Transparency (CT) according to RFC 6962. Some browsers require publication of all TLS certificates issued by the CA in at least three auditable logs of external providers.

This only applies if the product is offered with CT logging and this option was selected in the order process.

For TLS certificates, pre-issuance linting is carried out.

4.3.2 Notification of the subscriber that the certificate has been issued

These rules are documented in the TSPS.

4.4 Certificate handover

4.4.1 Certificate handover procedure

Smart cards are sent either by post or courier to the address stated, or they are handed over in person to the subscriber by the RA or an authorized employee or representative, or, if requested by the subscriber, handed over to the end-entity.

**NCP, LCP**

Certificates whose private key was produced in the area of the TSP are sent, as requested by the subscriber, on a storage medium (by mail to the address shown in the application), made available for access-protected and TLS-encrypted download or sent by e-mail (the PKCS#12 file being protected by a PIN).

**QCP-I, QEVCP-w, QNCP-w, EVCP, OVCP, NCP, LCP**

If a certificate is issued for a key pair that the subscriber already has, the certificate is either made available for download (for instance, published in the repository service) or sent electronically.

**QCP-n-qscd, QCP-I-qscd**

The TSP uses qualified signature/ seal creation devices only and, as long as the issued qualified certificates are valid, monitors the status of these qualified signature/ seal creation devices within the meaning of EN 319 411-2. The PIN is handed over separately to the end-entity.

Other methods can be agreed to on a customer-specific basis.

The general rules are documented in the TSPS.

4.4.2 Publication of the certificate by the TSP

If the subscriber consented to certificate publication in the certificate application, once produced, the certificates will be published in the public repository service. The certificate will not be published if the subscriber has not consented to publication.

4.4.3 Notification of other PKI entities concerning the issuance of the certificate

Third parties authorized to request revocation according to section 4.9.2 are notified in writing and receive the revocation password unless anything to the contrary was agreed to with the organization or the party authorized to request revocation.

4.5 Key pair and certificate usage

4.5.1 Private key and certificate use by the subscriber

Subscribers and end-entities are entitled to use their private keys exclusively for those applications which are in conformity with the types of use (keyUsage) stated in the certificate.

**QCP-n-qscd, QCP-I-qscd, QCP-I, QEVCP-w, QNCP-w**

Once the validity period has expired or the certificate has been revoked, the pertinent private keys may no longer be used.

The provisions in section 1.4 apply to subscribers.

4.5.2 Public key and certificate usage by relying parties

These rules are documented in the TSPS.

4.6 Certificate renewal

The rules laid down in sections 4.7 and 3.3 apply.

4.7 Certificate renewal with re-keying

Certificate renewal is the re-issuance of a certificate that is based on the content data of the original certificate. The CP and CPS in effect at the time of renewal apply to the renewed certificates.

Certificate renewal is not performed for CA keys.

Different procedures can be agreed to on a case-to-case basis and the TSP decides on their implementation if such procedures are not subject to certification according to EN 319 411-1. The conditions of section 3.3 must be fulfilled.

#### 4.7.1 Conditions for certificate renewal

In the event that any material changes in the terms of use have come into effect, the subscriber will be informed thereof. The subscriber confirms the new terms.

In contrast to a new application for a certificate, the initial identification process can be omitted for certificate renewal requests.

This is, however, conditional upon the certificate being issued for the same end-entity. The certificate to be renewed must still be valid at the time the electronic application for certificate renewal is submitted or validated data and documents for the renewal are available and can be used.

#### 4.7.2 Authorization for certificate renewal

Each subscriber who is authorized (pursuant to section 4.1.1) to submit a certificate application can apply for certificate renewal if the TSP offers a corresponding procedure for the chosen product.

#### 4.7.3 Processing an application for certificate renewal

The rules laid down in section 4.3 apply.

#### 4.7.4 Notification of the subscriber concerning issuance of a new certificate

The rules laid down in section 4.3.2 apply.

#### 4.7.5 Procedure in conjunction with the issuance of a certificate renewal

The rules laid down in section 4.4.1 apply.

#### 4.7.6 Publication of the certificate renewal by the TSP

The rules laid down in section 4.4.2 are applicable, depending on the details of the initial application.

#### 4.7.7 Notification of other PKI entities concerning certificate renewal

The rules laid down in section 4.4.3 apply.

### 4.8 Certificate modification

These rules are documented in the TSPS.

### 4.9 Certificate revocation and suspension

#### 4.9.1 Conditions for certificate revocation

These rules are documented in the TSPS.

Parties authorized to request revocation must identify themselves according to section 3.4.

#### 4.9.2 Authorization to revoke

These rules are documented in the TSPS.

#### 4.9.3 Revocation request procedure

If a revocation password was agreed to, revocation requests can be submitted by e-mail, by phone or via the online interface.

Certificates can be generally revoked 24/7 using the online interface. Both subscribers and persons authorized to revoke can use the online interface to revoke certificates as long as they authenticate themselves with their agreed revocation password.

Online interface: <https://my.d-trust.net/sperrren>

If necessary, subscribers or persons authorized to revoke can request telephone support when revoking a certificate. In this case, they will be required to provide support staff with their application ID and the pertinent revocation password so that entries can then be made on their behalf via the online interface.

Telephone support: +49 (0)30 / 25 98 – 0

**Special feature for customers who are registered in the D-TRUST Portal (<https://portal.d-trust.net/>) and order qualified signature or seal cards via this portal:**

If qualified signature or seal cards were ordered using a personal account in the D-TRUST Portal, revocation must also be carried out there. The organization’s authorized party must still revoke the card using the following address: <https://my.d-trust.net/sperrren>.

When the card is revoked, all of the pertinent certificates will also be revoked. Revocation is final and cannot be reversed.

To revoke a certificate via e-mail, the subscriber or the person authorized to revoke states the application ID of the certificate and the pertinent revocation password. Revocation requests received by e-mail are processed the next working day at the latest.

E-mail address: [sperrren@d-trust.net](mailto:sperrren@d-trust.net)

A revocation request can also be submitted by post.

Address for written revocation requests: D-Trust GmbH  
Kommandantenstr. 15  
10969 Berlin

A written revocation request must unambiguously describe the certificate to be revoked and must therefore contain the following details:

- Name of the party requesting revocation
- Subscriber’s name
- Serial number of the certificate in order to enable unambiguous identification of the certificate

The party requesting revocation must know their revocation password because this is then needed for subsequent telephone verification.

A specific date for revocation in the future, in as far as the date is within the validity period of the certificate, can only be stipulated within the scope of a written revocation request; a written revocation request is only accepted when a specimen signature is available. Revocation by telephone or via the online interface comes into effect immediately.

Status changes in the OCSP are available for query immediately after revocation. Status changes in a CRL contain the same revocation information, but it can take up to 60 minutes for the latest CRL to be published.

Other revocation methods can be agreed to.

The TSP is responsible for revoking a certificate. Notwithstanding this, the TSP can subcontract part of its tasks. The certificate revocation service can be performed by third parties acting on the basis of the requirements of the TSP.

The operating instructions and procedures set forth strict rules for performing the revocation service and include a detailed description of processes, workflows and rules for problem handling.

The reasons for revocation given by the party requesting revocation are documented. The subscriber or the end-entity, respectively, will be informed once the certificate has been revoked.

Authentication of persons authorized to revoke certificates is carried out according to section 3.4.

#### **PSD2-specific revocation procedure**

Public authorities only, as the issuers of PSD2-specific attributes, can submit their revocation requests to the following e-mail address:

E-mail address: [sperren@d-trust.net](mailto:sperren@d-trust.net)

This revocation procedure is only provided for NCA authorities using the PSD2 method.

#### 4.9.4 Revocation request deadlines

These rules are documented in the TSPS.

#### 4.9.5 Time span for processing a revocation request by the TSP

Revocation requests can be submitted 24/7 via by phone or via the online interface. Revocation takes place according to section 4.9 of [BRG].

Revocation requests received in writing are processed the next working day at the latest.

#### 4.9.6 Methods available for checking revocation information

Up-to-date revocation information is maintained in certificate revocation lists which can be retrieved via the LDAP<sup>9</sup> protocol or the link shown in section 2.1. An OCSP service is additionally available. The availability of these services is indicated in the certificates in the form of URLs. Furthermore, revocation information is also available from the TSP's website (see section 2.1). Delta CRLs are not used.

The integrity and authenticity of the revocation information are ensured by a signature of the CRL and/or the OCSP response.

Information on status and revocation (OCSP and CRL) is consistent.

Status changes in the OCSP are available for query immediately after revocation. Status changes in a CRL contain the same revocation information. However, distribution of a new CRL takes place with a time delay after revocation.

Revocation entries in certificate revocation lists remain there at least until the certificate's term of validity has expired.

#### **QCP-n-qscd, QCP-I-qscd, QCP-I**

Revocation entries remain in the associated certificate revocation lists after the respective certificate validity has expired.

---

<sup>9</sup> In future, revocation lists will only be offered via an http link.

#### 4.9.7 Publication frequency of certificate revocation lists

See section 2.3.

#### 4.9.8 Maximum latency time for certificate revocation lists

Certificate revocation lists are created immediately and published after 60 minutes at the latest.

#### 4.9.9 Online availability of revocation information

An OCSP service is available for online verification. The availability of this service is indicated in the certificates in the form of a URL.

#### 4.9.10 Need for online verification of revocation information

These rules are documented in the TSPS.

#### 4.9.11 Other forms for notification of revocation information

These rules are documented in the TSPS.

#### 4.9.12 Special requirements if the private key is compromised

These rules are documented in the TSPS.

#### 4.9.13 Conditions for suspension

These rules are documented in the TSPS.

### 4.10 Certificate status services

#### 4.10.1 Operation of the certificate status service

These rules are documented in the TSPS.

#### 4.10.2 Availability of the certificate status service

These rules are documented in the TSPS.

#### 4.10.3 Optional services

These rules are documented in the TSPS.

### 4.11 Withdrawal from the certification service

These rules are documented in the TSPS.

### 4.12 Key escrow and recovery

A request can be submitted to deposit private EE keys.

According to [EN 319 411-1] and [EN 319 411-2], the TSP does not offer key escrow for qualified certificates. The *subscriber* is free to deposit keys in his or her own sphere of responsibility.

#### 4.12.1 Escrow and recovery procedures for private keys

The TSP does not offer key escrow.

#### 4.12.2 Conditions and procedures for escrow and recovery of session keys

The TSP does not offer key escrow.

## 5. Facility, Management and Operational Controls

The descriptions in this section refer to the CAs operated by D-Trust GmbH in accordance with [EN 319 411-1] and [EN 319 411-2].

Other rules are documented in the TSPS.

### 5.1 Physical controls

These rules are documented in the TSPS.

### 5.2 Procedural controls

#### 5.2.1 Role and authorization concept

These rules are documented in the TSPS.

#### 5.2.2 Four-eyes principle

These rules are documented in the TSPS.

#### 5.2.3 Identification and authentication for individual roles

These rules are documented in the TSPS.

#### 5.2.4 Role exclusions

These rules are documented in the TSPS.

### 5.3 Personnel controls

The TSP meets the requirements concerning personnel as laid down in [EN 319 411-1] and [EN 319 411-2].

#### 5.3.1 Qualifications, experience and clearance requirements

These rules are documented in the TSPS.

#### 5.3.2 Background checks

These rules are documented in the TSPS.

#### 5.3.3 Training

These rules are documented in the TSPS.

#### 5.3.4 Frequency of training and information

These rules are documented in the TSPS.

#### 5.3.5 Job rotation frequency and sequence

These rules are documented in the TSPS.

#### 5.3.6 Sanctions for unauthorized actions

These rules are documented in the TSPS.

#### 5.3.7 Independent contractor requirements

These rules are documented in the TSPS.

5.3.8 Documentation supplied to personnel

These rules are documented in the TSPS.

5.4 Audit logging procedures

5.4.1 Monitoring access

These rules are documented in the TSPS.

5.4.2 Risk monitoring

These rules are documented in the TSPS.

5.5 Records archival

5.5.1 Types of records archived

These rules are documented in the TSPS.

5.5.2 Retention period for archive

These rules are documented in the TSPS.

5.5.3 Archive protection

These rules are documented in the TSPS.

5.5.4 Archive data backup

These rules are documented in the TSPS.

5.5.5 Requirements for time stamping of records

These rules are documented in the TSPS.

5.5.6 Archiving (internally/externally)

These rules are documented in the TSPS.

5.5.7 Procedure for obtaining and verifying archive information

These rules are documented in the TSPS.

5.6 Key change at the TSP

These rules are documented in the TSPS.

5.7 Compromise and disaster recovery at the TSP

5.7.1 Incident and compromise handling procedures

These rules are documented in the TSPS.

5.7.2 Recovery after resources have been compromised

These rules are documented in the TSPS.

5.7.3 Compromising of the private CA key

These rules are documented in the TSPS.



5.7.4 Disaster recovery options

These rules are documented in the TSPS.

5.8 Closure of the TSP or termination of services

These rules are documented in the TSPS.

**6. Technical Security Controls**

The descriptions contained in this section refer to the PKI services that are referred to in this CPS and which are operated at D-Trust GmbH.

6.1 Key pair generation and installation

6.1.1 Generation of key pairs

The general rules are documented in the TSPS.

**QCP-I, QEVCP-w, QNCP-w, EVCP, OVCP, NCP, LCP**

During generation of EE keys, the subscriber is required to generate these in a cryptographically secure manner in accordance with the requirements of [EN 319 411-1] and [EN 319 411-2].

**QEVCP-w, QNCP-w, EVCP, OVCP**

The subscriber may only submit a certificate request with a new self-generated key pair. This applies particularly to EE service certificate requests. If the TSP finds that the new certificate is being requested with the same key pair and/or a key pair is being used for the certificate request that matches one or more of the conditions in section 6.1.1.3 of [BRG], the certificate request will be denied.

**QCP-I-qscd, QCP-n-qscd**

If EE keys are generated by the TSP, these keys are generated with the help of an HSM or on a qualified signature/ seal creation device in the secure environment of the trust service provider and in accordance with the requirements of [EN 319 411-2].

If EE keys and EE certificates are generated on or attached to smart cards or other hardware-based tokens, the TSP performs procurement, storage, personalization and PIN handling according to the applicable requirements of the smart-card or token manufacturer or certification body.

6.1.2 Private key delivery to the subscriber

If the private keys are generated at the TSP, they are delivered according to section 4.4.1. The private keys are in this case stored at the TSP in a safe environment until they are delivered.

Since the key escrow option is not offered, the private key is deleted at the TSP after delivery to the subscriber.

6.1.3 Public key delivery to the TSP

**QEVCP-w, QNCP-w, EVCP, OVCP, NCP, LCP**

Certificate requests can be submitted by subscribers for a key pair generated by the subscriber in the form of a PKCS#10 request which must be signed with the corresponding private key. The PKCS#10 request contains the public key. The corresponding response returns the complete certificate.

#### 6.1.4 CA public key delivery to relying parties

The CA public key is contained in certificate. This certificate is normally contained in the token which is delivered to the subscriber. Furthermore, CA certificates can be obtained from the public repository where they are published after their generation.

#### 6.1.5 Key lengths

These rules are documented in the TSPS.

#### 6.1.6 Determining the key parameters and quality control

These rules are documented in the TSPS.

The signature and encryption algorithms are listed in section of 7.1.3.

#### 6.1.7 Key uses

These rules are documented in the TSPS.

### 6.2 Private key protection and cryptographic module engineering controls

#### 6.2.1 Cryptographic module standards and controls

The general rules are documented in the TSPS.

If the private EE keys are generated in the subscriber's sphere of responsibility, the subscriber must also ensure sufficient quality during key generation.

##### **NCP, LCP**

The TSP operates suitable hardware-based and software-based key generators in order to warrant the quality of the EE keys.

#### 6.2.2 Private key (n out of m) multi-person control

The HSM on which the CA keys are stored is located in the secure environment of the trust service provider. A private key must be activated by two authorized persons.

Access to private EE keys is only possible in the case of keys in escrow according to section 6.2.3.

#### 6.2.3 Private key escrow

The TSP does not offer escrow of private EE keys.

#### 6.2.4 Private key backup

The general rules are documented in the TSPS.

No backup is offered for private EE keys; backups are only available in the form of the key escrow option if this is available for the specific product or has been agreed to.

#### 6.2.5 Private key archival

These rules are documented in the TSPS.

#### 6.2.6 Transfer of private keys to or from cryptographic modules

These rules are documented in the TSPS.

#### 6.2.7 Storage of private keys in cryptographic modules

The general rules are documented in the TSPS.

EE keys are contained in encrypted form in a database of the TSP.

#### 6.2.8 Activation of private keys

The general rules are documented in the TSPS.

Private EE keys are activated by entering the PIN.

#### 6.2.9 Deactivation of private keys

The general rules are documented in the TSPS.

The respective application deactivates the private EE key, at the latest when the card is removed from the card reader or the soft PSE is deactivated or deleted.

Private EE keys on smart cards are permanently deactivated when an incorrect PIN was entered several times in succession. The card can be reactivated a limited number of times by entering the PUK. Multiple signature cards do not have a PUK.

#### 6.2.10 Destruction of private keys

The general rules are documented in the TSPS.

##### **QCP-n-qscd, QCP-l-qscd**

When the card chip is destroyed or the files containing the private EE key are deleted, the private key is then also destroyed.

#### 6.2.11 Assessment of cryptographic modules

These rules are documented in the TSPS.

### 6.3 Other aspects of key pair management

#### 6.3.1 Archiving of public keys

These rules are documented in the TSPS.

#### 6.3.2 Validity periods of certificates and key pairs

The general rules are documented in the TSPS.

The term of validity of the EE keys and certificates is variable and shown in the certificate. The maximum possible validity period totals:

##### **QEVCP-w, QNCP-w, EVCP, OCVP**

Up until 31 August 2020, TLS certificates will be issued with the following validity period:

825 days max.

Since 1 September 2020, TLS certificates have been issued with the following validity period:

398 days max.

In 2022, the maximum validity period was reduced by one day. TLS certificates are now issued with the following validity period:

397 days max.

**QEVCP-w and QNCP-w with PSD2 extension**

Qualified website certificates with PSD2 extension are issued with the following validity period:

397 days max.

**NCP, LCP**

63 months max.

**QCP-I, QCP-I-qscd, QCP-n-qscd**

EE certificates are issued with a maximum period of validity of 39 months. A longer period of validity can be contractually agreed to.

If a certificate is issued for a period of more than 24 months, after this period, the customer bears both the risk and costs of replacement which may become necessary for security reasons.

6.4 Activation data

6.4.1 Activation data generation and installation

The general rules are documented in the TSPS.

**QCP-I, QEVCP-w, QNCP-w, EVCP, OVCP, NCP, LCP**

If the key pair is generated by the subscriber, the activation secret is also produced during this process and is hence immediately available to the subscriber.

**QCP-n-qscd, QCP-I-qscd, NCP, LCP**

If the TSP generates the keys, either a transport PIN process is used or the PINs are printed in a PIN letter that is sent or handed over to the subscriber.

6.4.2 Protection of activation data

The general rules are documented in the TSPS.

Subscriber: In the case of the transport PIN method, the transport PIN shows the card integrity. In other methods, the PINs are printed once in a specially protected PIN letter, or sent via an TLS-secured website or handed over to the subscriber.

6.4.3 Other aspects of activation data

In addition to the PIN, subscribers with a signature card are also offered on a product-specific basis a Personal Unblocking Key (PUK) number to unblock the signature card (after entering an incorrect PIN three times).

6.5 Computer security controls

6.5.1 Specific technical security requirements in the computer systems

These rules are documented in the TSPS.

6.5.2 Assessment of computer security

These rules are documented in the TSPS.

6.5.3 Monitoring

These rules are documented in the TSPS.

## 6.6 Life cycle technical controls

These rules are documented in the TSPS.

### 6.6.1 Security controls during development

These rules are documented in the TSPS.

### 6.6.2 Security controls in conjunction with computer management

These rules are documented in the TSPS.

### 6.6.3 Life cycle security controls

These rules are documented in the TSPS.

## 6.7 Network security controls

These rules are documented in the TSPS.

## 6.8 Time stamps

These rules are documented in the TSPS.

## 7. Profiles of Certificates, Certificate Revocation Lists and OCSP

### 7.1 Certificate profiles

#### 7.1.1 Version numbers

These rules are documented in the TSPS.

#### 7.1.2 Certificate extensions

These rules are documented in the TSPS.

#### 7.1.3 Algorithm OIDs

The following encryption algorithms are currently used in the subjectPublicKeyInfo in CA and EE certificates:

- rsaEncryption with OID 1.2.840.113549.1.1.1
- id-RSASSA-PSS with OID 1.2.840.113549.1.1.10 (is not used for EVCP, OVCP)

The following curves are currently used for ECC keys in CA and EE certificates:

- secp384r1 with OID 1.3.132.0.34
- secp521r1 with OID: 1.3.132.0.35<sup>10</sup>
- secp256r1 with OID: 1.2.840.10045.3.1.7

The following signature algorithms are currently used in CA and EE certificates:

- sha512WithRSAEncryption with OID 1.2.840.113549.1.1.13
- sha256WithRSAEncryption with OID 1.2.840.113549.1.1.11

---

<sup>10</sup> This curve is not used for ECVP, OVCP and LCP.

- ecdsa-with-SHA256 with OID 1.2.840.10045.4.3.2
- ecdsa-with-SHA384 with OID 1.2.840.10045.4.3.3
- ecdsa-with-SHA512 with OID 1.2.840.10045.4.3.4

SHA1 is not used.

#### **QEVCP-w, QNCP-w, EVCP, OVCP**

The requirements of section 7.1.3.2 of [BRG] are observed.

#### 7.1.4 Name formats

These rules are documented in the TSPS.

#### 7.1.5 Name constraints

These rules are documented in the TSPS.

#### 7.1.6 Certificate Policy Object Identifier

"CertificatePolicies" may contain the OIDs of supported CPs.

Further rules are documented in the section 1.1.3 of the CP.

#### 7.1.7 Use of the "PolicyConstraints" extension

These rules are documented in the TSPS.

#### 7.1.8 Syntax and semantics of "PolicyQualifiers"

These rules are documented in the TSPS.

#### 7.1.9 Processing the semantics of the critical "CertificatePolicies" extension

These rules are documented in the TSPS.

### 7.2 CRL profiles

#### 7.2.1 Version number(s)

These rules are documented in the TSPS.

#### 7.2.2 Extensions of certificate revocation lists and certificate revocation list entries

These rules are documented in the TSPS.

### 7.3 OCSP profiles

These rules are documented in the TSPS.

#### 7.3.1 Version number(s)

These rules are documented in the TSPS.

#### 7.3.2 OCSP extensions

These rules are documented in the TSPS.

**8. Compliance Audit and Other Assessments**

These rules are documented in the TSPS.

**9. Other Business and Legal Matters**

With regard to the corresponding provisions, see section 9 in the CP.

# Certification Practice Statement der D-TRUST Root PKI

Version 3.10



# COPYRIGHT UND NUTZUNGSLIZENZ

**Certification Practice Statement der D-TRUST Root PKI**

**©2023 D-Trust GmbH**



This work is licensed under the Creative Commons Attribution-NoDerivatives 4.0 International License.

Alle weiteren Rechte vorbehalten.

Anfragen zu einer sonstigen, in der vorgenannten Lizenz nicht enthaltenen Nutzungsart dieses CPS der D-Trust GmbH sind zu richten an:

D-Trust GmbH  
Kommandantenstr. 15  
10969 Berlin, Germany  
Tel: +49 (0)30 259391 0  
E-Mail: [info@d-trust.net](mailto:info@d-trust.net)

## Dokumentenhistorie

Version	Datum	Beschreibung
2.0	01.01.2017	<ul style="list-style-type: none"> <li>Im Rahmen der Einführung von qualifizierten Produkten gemäß EN 319 411-2 und eIDAS, wurde die Version des Dokumentes auf 2.0 hochgezählt.</li> <li>Die Dokumentenhistorie der Zertifikatsrichtlinie bis zu diesem Zeitpunkt kann in der Version 1.15 vom 03.10.2016 nachgelesen werden.</li> </ul>
2.1	01.10.2017	<ul style="list-style-type: none"> <li>Editorische Änderungen und Konkretisierung des Kapitels 6.5</li> </ul>
2.2	28.03.2018	<ul style="list-style-type: none"> <li>Editorische Änderungen und eine Überarbeitung der Kompatibilität mit RFC 3647</li> <li>Anpassung Nutzungslizenz an „Creative Commons Attribution“</li> <li>Angleichung an die Mozilla Root Store Policy 2.5</li> </ul>
2.3	05.07.2018	<ul style="list-style-type: none"> <li>Änderung der Domain-Validierungsmethoden in 3.2.2, 3.2.3, 4.2.1</li> <li>Feld OrgID in Abschnitt 3.1.4 wurde gemäß Variante 3 aus Kapitel 5.1.4 der EN 319 412-1 ergänzt.</li> <li>Redaktionelle Anpassungen</li> </ul>
2.4	11.10.2018	<ul style="list-style-type: none"> <li>Tabellarische Darstellung der CA Zertifikate in Abschnitt 1.1.3</li> <li>Ergänzungen in Kapitel 7.3</li> <li>Anpassungen der Abschnitte 1.5.2 und 4.9 gemäß Ballot SC6v3 aus dem CAB-Forum</li> </ul>
2.5	30.11.2018	<ul style="list-style-type: none"> <li>Dieses CPS entspricht den Anforderungen der Mozilla Policy 2.6.1</li> <li>Jährliches Review des gesamten CPS</li> <li>Redaktionelle Anpassungen</li> </ul>
2.6	15.05.2019	<ul style="list-style-type: none"> <li>Ergänzung des Widerrufs über die Webseite</li> <li>Ergänzung der qualifizierten Siegel (QSealC) mit der Ausprägung PSD2</li> <li>Ergänzung der qualifizierten Website Authentication Zertifikate (QWACs) mit der Ausprägung PSD2</li> <li>Jährliches Review des gesamten CPS</li> <li>Redaktionelle Anpassungen</li> </ul>
2.7	22.05.2019	<ul style="list-style-type: none"> <li>Ergänzung der qualifizierten Siegelzertifikate mit der Ausprägung PSD2 ohne QSCD</li> <li>Im Abschnitt 4.2.1 werden die Domaininvalidierungsmethoden gemäß [BRG] um die Methoden 3.2.2.4.7, 3.2.2.4.13 und 3.2.2.4.14 ergänzt.</li> </ul>
2.8	09.10.2019	<ul style="list-style-type: none"> <li>Update nach observation report vom CAB</li> <li>Präzisierung des Abschnitts 5.5.2</li> <li>Editorische Änderungen</li> </ul>
2.9	19.03.2020	<ul style="list-style-type: none"> <li>Dieses CPS entspricht den Anforderungen der Mozilla Policy 2.7</li> <li>Jährliches Review des gesamten CPS</li> <li>Anpassung der Aufbewahrungsfrist für LCP in Abschnitt 5.5.2</li> <li>Ergänzung des SHA-256 Fingerprints in Abschnitt 1.1.3</li> <li>Ergänzung der Domaininvalidierungsmethoden in Abschnitt 4.2.1</li> </ul>

2.10	27.04.2020	<ul style="list-style-type: none"> <li>▪ Ergänzungen zur Verifikation der Zertifikatskette in Abschnitt 4.5.2</li> <li>▪ Ergänzungen in den Abschnitten 5.3.7 und 5.5.2</li> <li>▪ Reduzierung der Gültigkeitsdauer von TLS-Zertifikaten, siehe 6.3.2</li> </ul>
2.11	18.08.2020	<ul style="list-style-type: none"> <li>▪ Einführung einer EEC Root-CA und zwei ECC Sub-CAs für QCP-n-qscd und QCP-l-qscd</li> </ul>
3.0	10.11.2020	<ul style="list-style-type: none"> <li>▪ Das Root CPS ist ab Version 3.0 der TSPS untergeordnet</li> <li>▪ Update gemäß observation report</li> </ul>
3.1	23.04.2021	<ul style="list-style-type: none"> <li>▪ Austausch des Links in Abschnitt 1.1.3</li> <li>▪ Bekanntmachung des laufenden „CA Root Inclusion“ Prozesses in Abschnitt 1.1.3</li> <li>▪ Jährliches Review des gesamten CPS</li> <li>▪ Ergänzungen in den Abschnitten 1.5.3, 2.2, 3.1.4, 3.2.2, 6.1.1, 7.1.3</li> </ul>
3.2	03.05.2021	<ul style="list-style-type: none"> <li>▪ Bekanntmachung der neuen CAs für QES und QSEAL in Abschnitt 1.1.3</li> <li>▪ Editorische Änderungen in Abschnitt 7.1.3</li> </ul>
3.3	06.07.2021	<ul style="list-style-type: none"> <li>▪ Bekanntmachung von neuen qualifizierten CAs in Abschnitt 1.1.3</li> <li>▪ Bekanntmachung der Einführung eines personalisierten Antragsportals mit dem Namen „D-TRUST Portal“ und der Web-Adresse: <a href="https://portal.d-trust.net/">https://portal.d-trust.net/</a>. Das Go-Live wird noch bekanntgegeben.</li> <li>▪ Bekanntmachung eines neuen Sperrweges in Abschnitt 4.9.3 in Zusammenhang mit dem einzuführenden „D-TRUST Portal“</li> <li>▪ Update im Rahmen des BR Self Assessments</li> <li>▪ Editorische Änderungen und Ergänzungen in den Abschnitten 1.6.1, 2.3, 3.1.1, 3.1.4, 3.1.6, 3.2, 3.2.1, 3.2.2, 3.2.3, 3.2.4, 4.3.1, 4.9.5, 7.1.3, 7.1.6</li> </ul>
3.4	19.08.2021	<ul style="list-style-type: none"> <li>▪ Mitteilung der Inbetriebnahme des D-TRUST-Portals</li> <li>▪ Ergänzungen in Abschnitt 1.1.3, 1.6.1 und 3.1.4.</li> </ul>
3.5	14.10.2021	<ul style="list-style-type: none"> <li>▪ Ergänzungen in Abschnitt 1.1.3, 3.1.4 und 6.1.1</li> </ul>
3.6	14.04.2022	<ul style="list-style-type: none"> <li>▪ Informative Einführung des Policy Levels NCP</li> <li>▪ Umbenennung des Policy Levels QCP-w in QEVCP-w und Einführung des Policy Levels QNCP-w</li> <li>▪ Ergänzungen in Abschnitt 1.1.3 und 6.1.3</li> <li>▪ Jährliches Review des gesamten CPS</li> </ul>
3.7	22.08.2022	<ul style="list-style-type: none"> <li>▪ Ergänzungen und Konkretisierungen in Abschnitt 1.1.3, 3.2.3, 4.2.1, 4.5.1 und 6.3.2</li> <li>▪ Bekanntmachung des laufenden „CA Root Inclusion“ Prozesses in Abschnitt 1.1.3</li> </ul>
3.8	17.11.2022	<ul style="list-style-type: none"> <li>▪ Konkretisierung in Abschnitt 1.1.3 und 4.9.6</li> </ul>
3.9	14.02.2023	<ul style="list-style-type: none"> <li>▪ Bekanntmachung der neuen qualifizierten SubCA „D-TRUST CA 3-21-3 2022“ in Abschnitt 1.1.3</li> <li>▪ Konkretisierungen in den Abschnitten 1.1.3 und 3.1.4</li> </ul>
3.10	25.05.2023	<ul style="list-style-type: none"> <li>▪ Jährliches Review des gesamten CPS</li> <li>▪ Ergänzungen und Konkretisierungen in den Abschnitten 1.1.3, 4.4.1 und 6.1.1</li> </ul>

# Inhaltsverzeichnis

- 1. Einleitung.....7
- 1.1 Überblick .....7
- 1.2 Name und Kennzeichnung des Dokuments ..... 17
- 1.3 PKI-Teilnehmer ..... 17
- 1.4 Verwendung von Zertifikaten..... 18
- 1.5 Administration der Policy ..... 18
- 1.6 Begriffe und Abkürzungen ..... 19
- 2. Verantwortlichkeit für Verzeichnisse und Veröffentlichungen ..... 19
- 2.1 Verzeichnisse ..... 19
- 2.2 Veröffentlichung von Informationen zu Zertifikaten ..... 19
- 2.3 Häufigkeit von Veröffentlichungen ..... 20
- 2.4 Zugriffskontrollen auf Verzeichnisse ..... 20
- 2.5 Zugang und Nutzung von Diensten..... 20
- 3. Identifizierung und Authentifizierung ..... 21
- 3.1 Namensregeln ..... 21
- 3.2 Initiale Überprüfung der Identität..... 26
- 3.3 Identifizierung und Authentifizierung von Anträgen auf Schlüsselerneuerung (re-keying) ..... 30
- 3.4 Identifizierung und Authentifizierung von Sperranträgen ..... 30
- 4. Betriebsanforderungen ..... 31
- 4.1 Zertifikatsantrag und Registrierung ..... 31
- 4.2 Verarbeitung des Zertifikatsantrags..... 31
- 4.3 Ausstellung von Zertifikaten ..... 32
- 4.4 Zertifikatsübergabe..... 32
- 4.5 Verwendung des Schlüsselpaars und des Zertifikats..... 33
- 4.6 Zertifikatserneuerung (certificate renewal) ..... 33
- 4.7 Zertifikatserneuerung mit Schlüsselerneuerung..... 33
- 4.8 Zertifikatsänderung..... 34
- 4.9 Widerruf und Suspendierung von Zertifikaten ..... 34
- 4.10 Statusabfragedienst für Zertifikate ..... 37
- 4.11 Austritt aus dem Zertifizierungsdienst..... 37
- 4.12 Schlüsselhinterlegung und -wiederherstellung ..... 37
- 5. Nicht-technische Sicherheitsmaßnahmen ..... 37
- 5.1 Bauliche Sicherheitsmaßnahmen ..... 37
- 5.2 Verfahrensvorschriften ..... 38
- 5.3 Eingesetztes Personal ..... 38
- 5.4 Überwachungsmaßnahmen ..... 38
- 5.5 Archivierung von Aufzeichnungen..... 39
- 5.6 Schlüsselwechsel beim TSP ..... 39
- 5.7 Kompromittierung und Geschäftswiederführung beim TSP..... 39
- 5.8 Schließung des TSP bzw. die Beendigung der Dienste ..... 39
- 6. Technische Sicherheitsmaßnahmen..... 39
- 6.1 Erzeugung und Installation von Schlüsselpaaren ..... 40
- 6.2 Sicherung des privaten Schlüssels und Anforderungen an kryptographische Module ..... 41
- 6.3 Andere Aspekte des Managements von Schlüsselpaaren ..... 42
- 6.4 Aktivierungsdaten ..... 43
- 6.5 Sicherheitsmaßnahmen in den Rechneranlagen..... 43
- 6.6 Technische Maßnahmen während des Life Cycles ..... 43
- 6.7 Sicherheitsmaßnahmen für Netze..... 44
- 6.8 Zeitstempel ..... 44
- 7. Profile von Zertifikaten, Sperrlisten und OCSP ..... 44
- 7.1 Zertifikatsprofile ..... 44
- 7.2 Sperrlistenprofile ..... 45
- 7.3 Profile des Statusabfragedienstes (OCSP)..... 45
- 8. Auditierungen und andere Prüfungen ..... 45

9. Sonstige finanzielle und rechtliche Regelungen ..... 45

## 1. Einleitung

### 1.1 Überblick

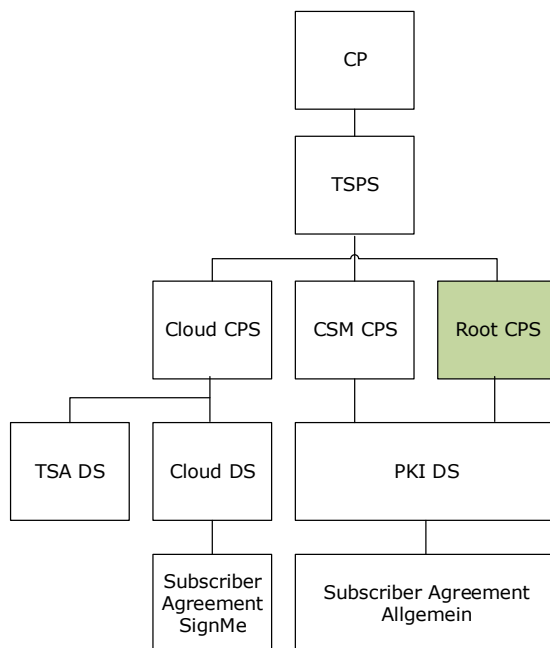
Dieses Dokument ist das Certification Practice Statement (CPS) der von D-Trust GmbH betriebenen Vertrauensdienste, die über die D-TRUST Root PKI bereitgestellt werden. Der Dokumentenname wird mit **Root CPS** abgekürzt verwendet und unterliegt dem Trust Service Practice Statement der D-TRUST (abgekürzt TSPS) und der Zertifikatsrichtlinie (engl. Certificate Policy, im Folgenden CP genannt).

#### 1.1.1 Vertrauensdiensteanbieter

Diese Regelungen sind in der CP dokumentiert.

#### 1.1.2 Über dieses Dokument

Die folgende Grafik skizziert die Dokumentenhierarchie der D-Trust GmbH. Die grüne Markierung hebt das Dokument, indem Sie sich befinden, hervor.



Verweise werden wie folgt angezeigt:

- **Diese Regelungen sind in der CP dokumentiert.**  
Regelungen, die die Zertifikatsrichtlinien betreffen sind in der CP dokumentiert.
- **Die allgemeinen Regelungen sind im TSPS dokumentiert.**  
Die allgemeinen Regelungen sind im TSPS dokumentiert und die spezifischen Regelungen verbleiben im dem CPS.
- **Die weiteren Regelungen sind im TSPS dokumentiert.**  
Über die spezifischen Regelungen im CPS gibt es noch weitere Regelungen, die im TSPS dokumentiert werden.
- **Diese Regelungen sind im TSPS dokumentiert.**  
Regelungen sind nur im TSPS beschrieben.

Dieses CPS nimmt Bezug auf die CP (Zertifikatsrichtlinie) der D-Trust GmbH mit der OID 1.3.6.1.4.1.4788.2.200.1, die TSPS (D-TRUST Trust Service Practice Statement) und die [EN 319 411-1] bzw. [EN 319 411-2]. Es beschreibt die Umsetzung der daraus resultierenden Anforderungen.

Soweit in diesem Dokument nicht zwischen den Zertifizierungsanforderungen bzw. Policy Level gemäß Abschnitt 1.1.3 unterschieden wird oder bestimmte Policy Level explizit ausgeschlossen werden, sind die Anforderungen oder Bestimmungen der jeweiligen Abschnitte auf alle Zertifikate gemäß der Klassifizierung der Zertifikatsrichtlinie der D-Trust GmbH anwendbar.

Die Struktur dieses Dokuments folgt dem Internet-Standard RFC 3647 "Internet X.509 Public Key Infrastructure: Certificate Policy and Certification Practices Framework".

Die weiteren Regelungen sind im TSPS dokumentiert.

### 1.1.3 Eigenschaften der PKI

Die Hierarchie der hier beschriebenen PKI ist mehrstufig. Abbildung 1, 2 und 3 zeigen schematische Konstellationen der PKI für qualifizierte und nicht-qualifizierte Vertrauensdienste. Sie besteht immer aus einer Kette, die angeführt wird von einer Root-CA (Wurzelninstanz oder Vertrauensanker) und optional gefolgt von weiteren Sub-CAs (Intermediate CAs). Die letzte Sub-CA dieser Kette ist die „ausstellende CA“ (Issuing-CA). Von ihr werden EE-Zertifikate ausgestellt.

#### PKI für qualifizierte Vertrauensdienste

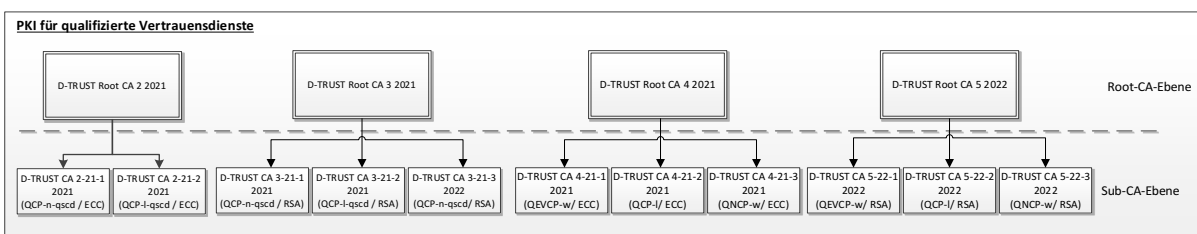
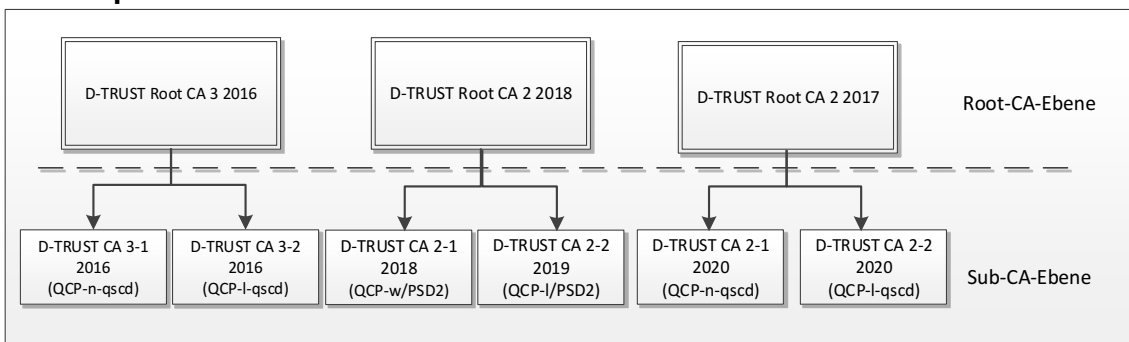


Abbildung 1: Aktuell gültige PKI-Hierarchie für qualifizierte Vertrauensdienste<sup>1</sup>

<sup>1</sup> Die folgenden SubCAs in Abbildung 1 sind in der Trusted List des BNetzA aufgelistet und wurden in Betrieb genommen: D-TRUST CA 2-21-1 2021, D-TRUST CA 2-21-2 2021, D-TRUST CA 3-21-1 2021, D-TRUST CA 3-21-2 2021, D-TRUST CA 3-21-3 2022, D-TRUST CA 4-21-1 2021, D-TRUST CA 4-21-2 2021, D-TRUST CA 4-21-3 2021 und die SubCAs aus der D-TRUST Root CA 5 2022.

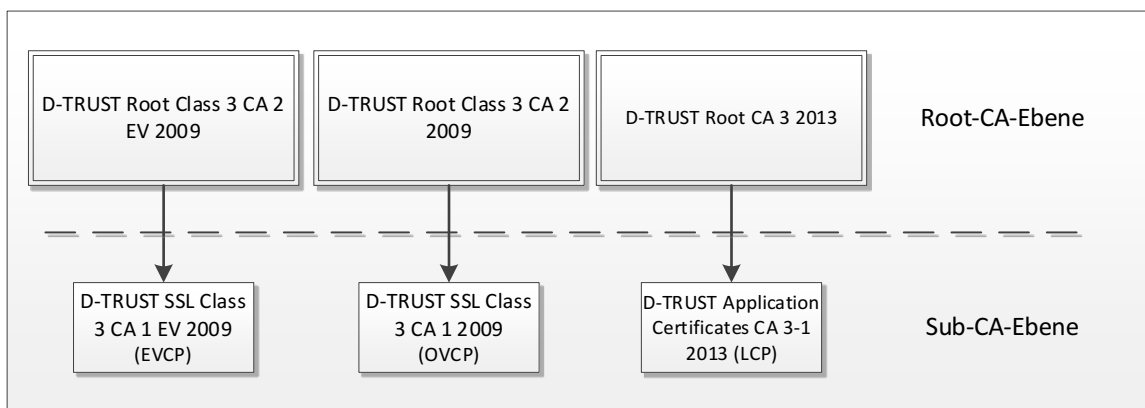
Anmerkung: Aus der SubCA „D-TRUST CA 3-21-3 2022“ werden zusätzlich zu qualifizierten Zertifikaten für Endanwender zu Signaturzwecken auch fortgeschrittene Zertifikate zu Authentifizierungszwecken erstellt. Diese werden gemeinsam auf einem Trägermedium (QSCD) an den Endanwender übergeben.

Die EE-Zertifikate lassen sich in ihrer Ausprägung den Anforderungen der einzelnen Richtlinien (Policy Level) innerhalb der [EN 319 411-2] zuordnen:

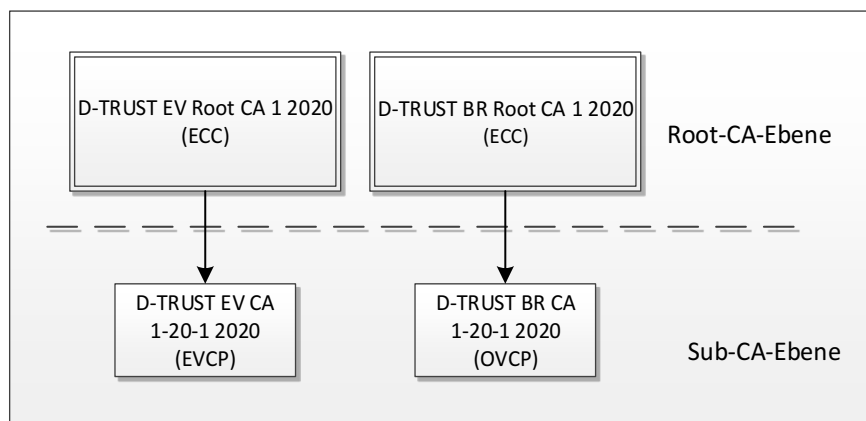
- QCP-n-qscd – Qualifizierte Personenzertifikate auf qualifizierter Signaturerstellungseinheit
- QCP-l-qscd – Qualifizierte Siegelzertifikate auf qualifizierter Signaturerstellungseinheit (QSealC)
- QCP-l – Qualifizierte Siegelzertifikate ohne qualifizierter Signaturerstellungseinheit (QSealC)
- QEVCP-w und QNCP-w – Qualifizierte Webseitenzertifikate (QWAC)

Die Policy Level werden im TSPS erläutert.

**PKI für „publicly trusted“ Vertrauensdienste<sup>2</sup> (nicht-qualifizierte Vertrauensdienste)**



**Abbildung 2: Aktuell gültige PKI-Hierarchie für „publicly trusted“ Vertrauensdienste**



**Abbildung 3: PKI-Hierarchie für „publicly trusted“ TLS-Vertrauensdienste im „CA Root Inclusion“ Prozess<sup>3</sup>**

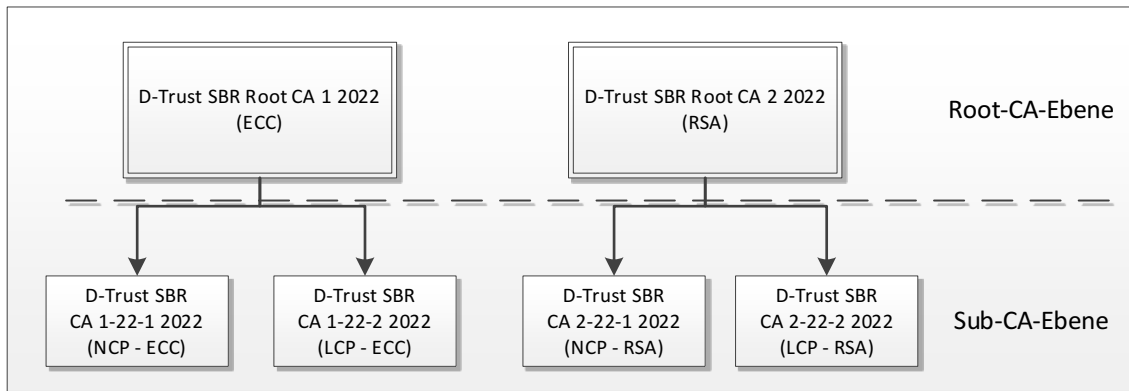
Die „D-TRUST Root CA 2 2021“ ersetzt die „D-TRUST Root CA 2 2017“ und die „D-TRUST Root CA 3 2021“ ersetzt die „D-TRUST Root CA 3 2016“. Die „D-TRUST Root CA 4 2021“ ersetzt die „D-TRUST Root CA 2 2018“.

Aus den SubCAs der „D-TRUST Root CA 2 2018“ werden ab dem 14.01.2021 keine neuen Zertifikate mehr erstellt.

<sup>2</sup> „publicly trusted“ Vertrauensdienste sind Vertrauensdienste gemäß den Vorgaben der Certificate Consumer Mitglieder des CA Browser/Forums in Kombination mit den Vorgaben des CA Browser/Forums.

<sup>3</sup> Die RootCA „D-TRUST EV Root CA 1 2020“ soll zukünftig die bestehende RootCA „D-TRUST Root Class 3 CA 2 EV 2009“ ersetzen und wird hier informativ aufgeführt. Die RootCA „D-TRUST BR Root CA 1 2020“ soll zukünftig die bestehende RootCA „D-TRUST Root Class 3 CA 2 2009“ ersetzen und wird hier informativ aufgeführt.





**Abbildung 4: PKI-Hierarchie für publicly trusted S/MIME-Vertrauensdienste im „CA Root Inclusion“ Prozess<sup>4</sup>**

Die EE-Zertifikate lassen sich in ihrer Ausprägung den Anforderungen der einzelnen Richtlinien (Policy Level) innerhalb der EN 319 411-1 zuordnen:

- NCP – Normalized Certificate Policy (aktuell nur informativ)
- LCP – Lightweight Certificate Policy
- OVCP – Organizational Validation Certificate Policy
- EVCP – Extended Validation Certificate Policy

Die Policy Level werden im TSPS erläutert.

**CA-Zertifikate**

Die Gesamtübersicht aller RootCAs und SubCAs mit den Policy Leveln QEVCP-w, QNCP-w, EVCP, OVCP, NCP und LCP aus der hervorgeht welches Vorgabedokument auf die jeweilige CA Anwendung findet, ist im Repository zu finden:

[https://www.d-trust.net/files/dokumente/pdf/pki\\_structure\\_and\\_applicable\\_documents.pdf](https://www.d-trust.net/files/dokumente/pdf/pki_structure_and_applicable_documents.pdf)

Die folgende Tabelle liefert eine Übersicht über alle RootCAs und der dazugehörigen SubCAs, für die dieses CPS Anwendung findet.

<p>D-TRUST Root CA 3 2016</p> <p><a href="https://www.d-trust.net/cgi-bin/D-TRUST_Root_CA_3_2016.crt">https://www.d-trust.net/cgi-bin/D-TRUST_Root_CA_3_2016.crt</a></p> <p>Fingerprint:</p> <p>SHA1: 16ABFE955BBA80F0D7079D240188C633DF5DDB7F</p> <p>SHA256: 828F0AA17DC578DB836FBCAFB60BEFEBAC1551080AEB60D1264DDBB1561230EA</p>
--

<sup>4</sup> Die Root-CA „D-Trust SBR Root CA 1 2022“ mit ECC-Schlüsseln und „D-Trust SBR Root CA 2 2022“ mit RSA-Schlüsseln sind im „CA Root Inclusion“ Prozess und sollen zukünftig die bestehende Root-CA „D-TRUST Root CA 3 2013“ ersetzen und werden hier informativ aufgeführt.

<p>D-TRUST CA 3-1 2016</p> <p><a href="https://www.d-trust.net/cgi-bin/D-TRUST_CA_3-1_2016.crt">https://www.d-trust.net/cgi-bin/D-TRUST_CA_3-1_2016.crt</a></p> <p>Policy Level: QCP-n-qscd</p> <p>Fingerprint:                  SHA1: 38A577328FAD50472F94D47AB433D88F8F36A22D                  SHA256: 454A164B9236CF9C380DF9959F751DED503F91BE3EC646C7042CBB0E1E17A7D5                  OID: 1.3.6.1.4.1.4788.2.150.1</p>
<p>D-TRUST CA 3-2 2016</p> <p><a href="https://www.d-trust.net/cgi-bin/D-TRUST_CA_3-2_2016.crt">https://www.d-trust.net/cgi-bin/D-TRUST_CA_3-2_2016.crt</a></p> <p>Policy Level: QCP-l-qscd</p> <p>Fingerprint:                  SHA1: 7927b0fda41b2a2465aa4e727d8bac8dd0db5aad                  SHA256: 44AD63979AF0794DB890B96A9BE63A17F5ADF7AC47FE91B008FF04E3EEB9FCCD                  OID: 1.3.6.1.4.1.4788.2.150.2</p>
<p>D-TRUST Root CA 2 2018 (Legacy)</p> <p><a href="https://www.d-trust.net/cgi-bin/D-TRUST_Root_CA_2_2018.crt">https://www.d-trust.net/cgi-bin/D-TRUST_Root_CA_2_2018.crt</a></p> <p>Fingerprint:                  SHA1: 4B467FB8D2051D7BC4CDB73377FA7077034BCCE1                  SHA256: 113BBD9EFFFA4C743D6D09038DC0AAB1A5F1FAD7492868193917C63D82D74FA1</p>
<p>D-TRUST CA 2-1 2018 (Legacy)</p> <p><a href="https://www.d-trust.net/cgi-bin/D-TRUST_CA_2-1_2018.crt">https://www.d-trust.net/cgi-bin/D-TRUST_CA_2-1_2018.crt</a></p> <p>Policy Level: QEVCP-w</p> <p>Fingerprint:                  SHA1: 5982BDD5E228E4869461713710CC5C3DDE006C43                  SHA256: 5F28B888456D21158C5E3E8A31719CF3B305300BC5B436B696BE22F6973F1DF1                  OID: 1.3.6.1.4.1.4788.2.150.4</p>
<p>D-TRUST CA 2-2 2019 (Legacy)</p> <p><a href="https://www.d-trust.net/cgi-bin/D-TRUST_CA_2-2_2019.crt">https://www.d-trust.net/cgi-bin/D-TRUST_CA_2-2_2019.crt</a></p> <p>Policy Level: QCP-l</p> <p>Fingerprint:                  SHA1: 455FD6F160938C1FCCE1EF8D4F33700F2148FF87                  SHA256: E85F41CE30CF9910CB8D12470F9E312E8F862FFED0581F5995772D8B46CB7E99                  OID: 1.3.6.1.4.1.4788.2.150.5</p>
<p>D-TRUST Root CA 2 2017</p> <p><a href="https://www.d-trust.net/cgi-bin/D-TRUST_Root_CA_2_2017.crt">https://www.d-trust.net/cgi-bin/D-TRUST_Root_CA_2_2017.crt</a></p> <p>Fingerprint:                  SHA1: 357BB8CC3855B401F7C64CFF35689F83C860374D                  SHA256: E152527EB90B3034818589D31C3CC4EE1C896446AC4E29EA8F546B3419165B90</p>

<p>D-TRUST CA 2-1 2020</p> <p><a href="https://www.d-trust.net/cgi-bin/D-TRUST_Root_CA_2-1_2020.crt">https://www.d-trust.net/cgi-bin/D-TRUST_Root_CA_2-1_2020.crt</a></p> <p>Policy Level: QCP-n-qscd</p> <p>Fingerprint:                  SHA1: D00C842434F42BD4903518CA3B0E9EC49976EE2F                  SHA256: A5D944F0C6598C8A3A421AB320DD6E82E1C7A373B4812FFB2508F638804082AB                  OID: 1.3.6.1.4.1.4788.2.150.1</p>
<p>D-TRUST CA 2-2 2020</p> <p><a href="https://www.d-trust.net/cgi-bin/D-TRUST_Root_CA_2-2_2020.crt">https://www.d-trust.net/cgi-bin/D-TRUST_Root_CA_2-2_2020.crt</a></p> <p>Policy Level: QCP-l-qscd</p> <p>Fingerprint:                  SHA1: ECE3B420B2FE38F56E036A8D507FFDA229024CE3                  SHA256: C0671426DE62A9BAA23C28EF9EFF21B5C3DDF0673BEE59EA43B0CE0C6E30FE85                  OID: 1.3.6.1.4.1.4788.2.150.2</p>
<p>D-TRUST Root Class 3 CA 2 EV 2009</p> <p><a href="https://www.d-trust.net/cgi-bin/D-TRUST_Root_Class_3_CA_2_EV_2009.crt">https://www.d-trust.net/cgi-bin/D-TRUST_Root_Class_3_CA_2_EV_2009.crt</a></p> <p>Fingerprint:                  SHA1: 96C91B0B95B4109842FAD0D82279FE60FAB91683                  SHA256: EEC5496B988CE98625B934092EEC2908BED0B0F316C2D4730C84EAF1F3D34881</p>
<p>D-TRUST SSL Class 3 CA 1 EV 2009</p> <p><a href="https://www.d-trust.net/cgi-bin/D-TRUST_SSL_Class_3_CA_1_EV_2009.crt">https://www.d-trust.net/cgi-bin/D-TRUST_SSL_Class_3_CA_1_EV_2009.crt</a></p> <p>Policy Level: EVCP</p> <p>Fingerprint:                  SHA1: 1069423D308D0FC54575059638560FC7556E32B3                  SHA256: B0935DC04B4E60C0C42DEF7EC57A1B1D8F958D17988E71CC80A8CF5E635BA5B4                  OID: 1.3.6.1.4.1.4788.2.202.1</p>
<p>D-TRUST Root Class 3 CA 2 2009</p> <p><a href="https://www.d-trust.net/cgi-bin/D-TRUST_Root_Class_3_CA_2_2009.crt">https://www.d-trust.net/cgi-bin/D-TRUST_Root_Class_3_CA_2_2009.crt</a></p> <p>Fingerprint:                  SHA1: 58E8ABB0361533FB80F79B1B6D29D3FF8D5F00F0                  SHA256: 49E7A442ACF0EA6287050054B52564B650E4F49E42E348D6AA38E039E957B1C1</p>
<p>D-TRUST SSL Class 3 CA 1 2009</p> <p><a href="https://www.d-trust.net/cgi-bin/D-TRUST_SSL_Class_3_CA_1_2009.crt">https://www.d-trust.net/cgi-bin/D-TRUST_SSL_Class_3_CA_1_2009.crt</a></p> <p>Policy Level: OVCP</p> <p>Fingerprint:                  SHA1: 2FC5DE6528CDBE50A14C382FC1DE524FAABF95FC                  SHA256: 6AC159B4C2BC8E729F3B84642EF1286BCC80D775FE278C740ADA468D59439025                  OID: 1.3.6.1.4.1.4788.2.200.1</p>

<p>D-TRUST Root CA 3 2013</p> <p><a href="https://www.d-trust.net/cgi-bin/D-TRUST_Root_CA_3_2013.crt">https://www.d-trust.net/cgi-bin/D-TRUST_Root_CA_3_2013.crt</a></p> <p>Fingerprint: SHA1: 6C7CCCE7D4AE515F9908CD3FF6E8C378DF6FeF97</p> <p>SHA256: A1A86D04121EB87F027C66F53303C28E5739F943FC84B38AD6AF009035DD9457</p>
<p>D-TRUST Application Certificates CA 3-1 2013</p> <p><a href="http://www.d-trust.net/cgi-bin/D-TRUST_Application_Certificates_CA_3-1_2013.crt">http://www.d-trust.net/cgi-bin/D-TRUST_Application_Certificates_CA_3-1_2013.crt</a></p> <p>Policy Level: LCP (1.3.6.1.4.1.4788.2.200.2), NCP (1.3.6.1.4.1.4788.2.200.3)</p> <p>Fingerprint: SHA1: 1785B07501F0FCEFFC97C6B070C255A8A9B99F12</p> <p>SHA256: CB0F7B7670EA2B818ABE80587902434B30EF7A8C0273B84884243F89593EA630</p> <p>OID im CA-Zertifikat: 1.3.6.1.4.1.4788.2.200.1 (Legacy)</p>
<p>D-TRUST EV Root CA 1 2020 (ECC) – Aktuell im „CA Root Inclusion“ Prozess</p> <p><a href="https://www.d-trust.net/cgi-bin/D-TRUST_EV_Root_CA_1_2020.crt">https://www.d-trust.net/cgi-bin/D-TRUST_EV_Root_CA_1_2020.crt</a></p> <p>Fingerprint: SHA1: 61DB8C2159690390D87C9C128654CF9D3DF4DD07</p> <p>SHA256: 08170D1AA36453901A2F959245E347DB0C8D37ABAABC56B81AA100DC958970DB</p>
<p>D-TRUST EV CA 1-20-1 2020 – Aktuell im „CA Root Inclusion“ Prozess</p> <p><a href="https://www.d-trust.net/cgi-bin/D-TRUST_EV_CA_1-20-1_2020.crt">https://www.d-trust.net/cgi-bin/D-TRUST_EV_CA_1-20-1_2020.crt</a></p> <p>Policy Level: EVCP</p> <p>Fingerprint: SHA1: 8D01990148D7148C61B3C0B3F743A353F401BA6C</p> <p>SHA256: 41C897473B0369FA74B1F4F9D7F89129485C1A305C0719A867DC8714E0870200</p> <p>OID: 1.3.6.1.4.1.4788.2.202.1 (D-TRUST EV OID)</p> <p>OID: 2.23.140.1.1 (CA/Browser Forum EV OID)</p>
<p>D-TRUST BR Root CA 1 2020 (ECC) – Aktuell im „CA Root Inclusion“ Prozess</p> <p><a href="https://www.d-trust.net/cgi-bin/D-TRUST_BR_Root_CA_1_2020.crt">https://www.d-trust.net/cgi-bin/D-TRUST_BR_Root_CA_1_2020.crt</a></p> <p>Fingerprint: SHA1: 1F5B98F0E3B5F7743CEDE6B0367D32CDF4094167</p> <p>SHA256: E59AAA816009C22BFF5B25BAD37DF306F049797C1F81D85AB089E657BD8F0044</p>
<p>D-TRUST BR CA 1-20-1 2020 – Aktuell im „CA Root Inclusion“ Prozess</p> <p><a href="https://www.d-trust.net/cgi-bin/D-TRUST_BR_CA_1-20-1_2020.crt">https://www.d-trust.net/cgi-bin/D-TRUST_BR_CA_1-20-1_2020.crt</a></p> <p>Policy Level: OVCP</p> <p>Fingerprint: SHA1: 16407AFD6EE36C777730AE95D6C6286ECE4C389F</p> <p>SHA256: 199AB2AAAFF40401E0A3B7B87EE9964659EFFA94A1FECBE918AE136E4B4E0A8</p> <p>OID: 1.3.6.1.4.1.4788.2.202.2 (D-TRUST OV OID)</p> <p>OID: 2.23.140.1.2.2 (CA/Browser Forum OV OID)</p>

<p>D-TRUST Root CA 2 2021 (ECC, P-384)  <a href="https://www.d-trust.net/cgi-bin/D-TRUST_Root_CA_2_2021.crt">https://www.d-trust.net/cgi-bin/D-TRUST_Root_CA_2_2021.crt</a>                      Fingerprint:                      SHA1: 468C467671DD4F1A38145104C353C99276107702                      SHA256: E7A79A64F101897903D5B054564672E5D5C803437405D15321A1A5763710AF70</p>
<p>D-TRUST CA 2-21-1 2021 (ECC, P-384)  <a href="https://www.d-trust.net/cgi-bin/D-TRUST_CA_2-21-1_2021.crt">https://www.d-trust.net/cgi-bin/D-TRUST_CA_2-21-1_2021.crt</a>                      Policy Level: QCP-n-qscd                      Fingerprint:                      SHA1: F78B7AA28BACD8E004C1A7FEEE7BD035BC1B5AD7                      SHA256: 620BA94502329A506F3A2AFB6500DA9FA437C946E8D6E4B7C2148C29C8E76A8E                      OID: 1.3.6.1.4.1.4788.2.150.1</p>
<p>D-TRUST CA 2-21-2 2021 (ECC, P-384)  <a href="https://www.d-trust.net/cgi-bin/D-TRUST_CA_2-21-2_2021.crt">https://www.d-trust.net/cgi-bin/D-TRUST_CA_2-21-2_2021.crt</a>                      Policy Level: QCP-l-qscd                      Fingerprint:                      SHA1: BC0FA0A53582E8E5434F0AEACCEE32A2C3CD9443                      SHA256: B3472A9A9DB78EBBC260EA628BD44B593C3D7B1367F25DFAD659FF5E9198B0DF                      OID: 1.3.6.1.4.1.4788.2.150.2</p>
<p>D-TRUST Root CA 3 2021 (RSA, 4096 Bit)  <a href="https://www.d-trust.net/cgi-bin/D-TRUST_Root_CA_3_2021.crt">https://www.d-trust.net/cgi-bin/D-TRUST_Root_CA_3_2021.crt</a>                      Fingerprint:                      SHA1: E4F95E877D3D6519336040A2B0C853F8A1B57194                      SHA256: 390F7FE59E7AE6D271527CFA0D53B2E67B3F7FABECEDB65FB10AAFF34F13FF2</p>
<p>D-TRUST CA 3-21-1 2021 (RSA, 4096 Bit)  <a href="https://www.d-trust.net/cgi-bin/D-TRUST_CA_3-21-1_2021.crt">https://www.d-trust.net/cgi-bin/D-TRUST_CA_3-21-1_2021.crt</a>                      Policy Level: QCP-n-qscd                      Fingerprint:                      SHA1: 9F729EFAF98688C7F946ED8012A8773088B037C1                      SHA256: C67EBB0BFA6497ACFBD5423ED5A2DA5497E82092A4C475200DCC273CC8CFC69C                      OID: 1.3.6.1.4.1.4788.2.150.1</p>
<p>D-TRUST CA 3-21-2 2021 (RSA, 4096 Bit)  <a href="https://www.d-trust.net/cgi-bin/D-TRUST_CA_3-21-2_2021.crt">https://www.d-trust.net/cgi-bin/D-TRUST_CA_3-21-2_2021.crt</a>                      Policy Level: QCP-l-qscd                      Fingerprint:                      SHA1: 767E3E3FDE06FE00199205F36B4EA7723562133C                      SHA256: E628B19986782CEB2094DB982E749ADCD7CA02C58DB0C7B8B2ECE7869A07897A                      OID: 1.3.6.1.4.1.4788.2.150.2</p>

<p>D-TRUST CA 3-21-3 2022 (RSA, 4096 Bit)<sup>5</sup>  <a href="https://www.d-trust.net/cgi-bin/D-TRUST_CA_3-21-3_2022.crt">https://www.d-trust.net/cgi-bin/D-TRUST_CA_3-21-3_2022.crt</a>                      Policy Level: QCP-n-qscd                      Fingerprint:                      SHA1: 5601F434AB54C3EADDBEBA430ABD9B40065E2341                      SHA256: 0DF80683B392814EF75A12F665A810D36D0754FB297F24C65729C7A771022A5B                      OID: 1.3.6.1.4.1.4788.2.150.1</p>
<p>D-TRUST Root CA 4 2021 (ECC, P-384)  <a href="https://www.d-trust.net/cgi-bin/D-TRUST_Root_CA_4_2021.crt">https://www.d-trust.net/cgi-bin/D-TRUST_Root_CA_4_2021.crt</a>                      Fingerprint:                      SHA1: A48CDA4E279A7E8996BF2D1EF1263DD16068092A                      SHA256: 70A9EF005779FCEE0619A644AF439FD3AF3379E645530F35BD6AE68EFF19D2BF</p>
<p>D-TRUST CA 4-21-1 2021 (ECC, P-384)  <a href="https://www.d-trust.net/cgi-bin/D-TRUST_CA_4-21-1_2021.crt">https://www.d-trust.net/cgi-bin/D-TRUST_CA_4-21-1_2021.crt</a>                      Policy Level: QEVCP-w                      Fingerprint:                      SHA1: 74B857941F0EB9BC0FB9A3FEA83AEA836E0A5E22                      SHA256: 4EA66AB8FC54D446F6A46A63F0FCA5FE83A1F433CDE771DE8D1A8BE06647D008                      OID: 1.3.6.1.4.1.4788.2.150.4</p>
<p>D-TRUST CA 4-21-2 2021 (ECC, P-384)  <a href="https://www.d-trust.net/cgi-bin/D-TRUST_CA_4-21-2_2021.crt">https://www.d-trust.net/cgi-bin/D-TRUST_CA_4-21-2_2021.crt</a>                      Policy Level: QCP-I                      Fingerprint:                      SHA1: 07BBB6424795283CC3757E91642AF95055DB85D4                      SHA256: 5EF6EB4690E15C57C25A0296A9A93488B86AA5878A3DFC0859855CC5EB378A00                      OID: 1.3.6.1.4.1.4788.2.150.5</p>
<p>D-TRUST CA 4-21-3 2021 (ECC, P-384)  <a href="https://www.d-trust.net/cgi-bin/D-TRUST_CA_4-21-3_2021.crt">https://www.d-trust.net/cgi-bin/D-TRUST_CA_4-21-3_2021.crt</a>                      Policy Level: QNCP-w                      Fingerprint:                      SHA1: EF175B7CC271EFEC0406EDB610C909DF88FA8202                      SHA256: 884864ACDB55E55BF1E5CF648EF434491E2F6990FF4A952E3FA4763A1A6C33BB                      OID: 1.3.6.1.4.1.4788.2.150.3</p>

<sup>5</sup> Anmerkung: Aus der SubCA „D-TRUST CA 3-21-3 2022“ werden zusätzlich zu qualifizierten Zertifikaten für Endanwender zu Signaturzwecken auch fortgeschrittene Zertifikate zu Authentifizierungszwecken erstellt. Diese werden gemeinsam auf einem Trägermedium (QSCD) an den Endanwender übergeben.

<p>D-TRUST Root CA 5 2022 (RSA, 4096)  <a href="https://www.d-trust.net/cgi-bin/D-TRUST_Root_CA_5_2022.crt">https://www.d-trust.net/cgi-bin/D-TRUST_Root_CA_5_2022.crt</a>                      Fingerprint:                      SHA1: 643211332169B483B55F7046E56CBFC6C11DC5F8                      SHA256: D839672F984DCA7CD480CE201627A4DE61C5C1855F450E5B706200E73A23F047</p>
<p>D-TRUST CA 5-22-1 2022 (RSA, 4096)  <a href="https://www.d-trust.net/cgi-bin/D-TRUST_CA_5-22-1_2022.crt">https://www.d-trust.net/cgi-bin/D-TRUST_CA_5-22-1_2022.crt</a>                      Policy Level: QEVCP-w                      Fingerprint:                      SHA1: 5B26CCEEC541B3886A76761A9503667027C8B94A                      SHA256: A028FB2822D0C2699A451B7083A984318F7A0102A3B42F5B089D99CF3F9149C3                      OID: 1.3.6.1.4.1.4788.2.150.4</p>
<p>D-TRUST CA 5-22-2 2022 (RSA, 4096)  <a href="https://www.d-trust.net/cgi-bin/D-TRUST_CA_5-22-2_2022.crt">https://www.d-trust.net/cgi-bin/D-TRUST_CA_5-22-2_2022.crt</a>                      Policy Level: QCP-I                      Fingerprint:                      SHA1: 34156C420F146160795B5E2CC4EF343C258C16BF                      SHA256: F0A1CA5FC42E6A8514C63415054F14EF7BB961ADBC7A94185D8E410A905B8109                      OID: 1.3.6.1.4.1.4788.2.150.5</p>
<p>D-TRUST CA 5-22-3 2022 (RSA, 4096)  <a href="https://www.d-trust.net/cgi-bin/D-TRUST_CA_5-22-3_2022.crt">https://www.d-trust.net/cgi-bin/D-TRUST_CA_5-22-3_2022.crt</a>                      Policy Level: QNCP-w                      Fingerprint:                      SHA1: 8A259DBB8B8C3AB5971B94590C7BABAFE57B5E1F                      SHA256: D9B38F7314AAB95DE57B63784F7D123D031C4FED6D8F66ED55A91BD05FEA818B                      OID: 1.3.6.1.4.1.4788.2.150.3</p>
<p>D-Trust SBR Root CA 1 2022 (ECC, P-384)  <a href="https://www.d-trust.net/cgi-bin/D-Trust_SBR_Root_CA_1_2022.crt">https://www.d-trust.net/cgi-bin/D-Trust_SBR_Root_CA_1_2022.crt</a>                      Fingerprint:                      SHA1: 0F523A6B4E7D1D1805A548F94DCDE4C31E1BE9E6                      SHA256: D92C171F5CF890BA428019292927FE22F3207FD2B54449CB6F675AF4922146E2</p>
<p>D-Trust SBR CA 1-22-1 2022 (ECC, P-384)  <a href="https://www.d-trust.net/cgi-bin/D-Trust_SBR_CA_1-22-1_2022.crt">https://www.d-trust.net/cgi-bin/D-Trust_SBR_CA_1-22-1_2022.crt</a>                      Policy Level: NCP                      Fingerprint:                      SHA1: 51575F287395A0B53EC2807631ED205134E4AAA9                      SHA256: 31FFA8D3F2439C62F2363FE56F4E245382A6D69D8A828B3539FA3875F8C5235B                      OID: 1.3.6.1.4.1.4788.2.200.3</p>
<p>D-Trust SBR CA 1-22-2 2022 (ECC, P-384)  <a href="https://www.d-trust.net/cgi-bin/D-Trust_SBR_CA_1-22-2_2022.crt">https://www.d-trust.net/cgi-bin/D-Trust_SBR_CA_1-22-2_2022.crt</a>                      Policy Level: LCP                      Fingerprint:</p>

SHA1: C3288BB25E4E49AC4590999BF73875B1D48F6037 SHA256: 200E2C50111A71B07555E921D3BFB7EBDE47F7E41873E06753474362BC017BA2 OID: 1.3.6.1.4.1.4788.2.200.2
D-Trust SBR Root CA 2 2022 (RSA, 4096) <a href="https://www.d-trust.net/cgi-bin/D-Trust_SBR_Root_CA_2_2022.crt">https://www.d-trust.net/cgi-bin/D-Trust_SBR_Root_CA_2_2022.crt</a> Fingerprint: SHA1: 27FF63B9EF34293103381AD86060DACC602835E1 SHA256: DBA84DD7EF622D485463A90137EA4D574DF8550928F6AFA03B4D8B1141E636CC
D-Trust SBR CA 2-22-1 2022 (RSA, 4096) <a href="https://www.d-trust.net/cgi-bin/D-Trust_SBR_CA_2-22-1_2022.crt">https://www.d-trust.net/cgi-bin/D-Trust_SBR_CA_2-22-1_2022.crt</a> Policy Level: NCP Fingerprint: SHA1: 557FFA0723CF6B21B88D2576C13615251E309668 SHA256: CED8E0893E52A1C96AE65D9955A908C45003D7CEADE56B3E4717FD8F00EE0743 OID: 1.3.6.1.4.1.4788.2.200.3
D-Trust SBR CA 2-22-2 2022 (RSA, 4096) <a href="https://www.d-trust.net/cgi-bin/D-Trust_SBR_CA_2-22-2_2022.crt">https://www.d-trust.net/cgi-bin/D-Trust_SBR_CA_2-22-2_2022.crt</a> Policy Level: LCP Fingerprint: SHA1: 6A1460777BA94726D2215D8853E9AC775A0D9C5A SHA256: 6E87C6E63C8BEE394908B97D1079F8FF88C3930E0EBEC5708C159E2B83247FF0 OID: 1.3.6.1.4.1.4788.2.200.2

Sowohl in CA- als auch in EE-Zertifikaten können CPs oder OIDs referenziert werden, die detailliert Anforderungen und Beschränkungen definieren.

1.2 Name und Kennzeichnung des Dokuments

Dokumentname: Certification Practice Statement der D-TRUST Root PKI  
 Version 3.10

1.3 PKI-Teilnehmer

- 1.3.1 Zertifizierungsstellen (CA)  
 Diese Regelungen sind im TSPS dokumentiert.
- 1.3.2 Registrierungsstellen (RA)  
 Diese Regelungen sind im TSPS dokumentiert.
- 1.3.3 Zertifikatsnehmer (ZNE) und Endanwender (EE)  
 Diese Regelungen sind im TSPS dokumentiert.
- 1.3.4 Zertifikatsnutzer (ZNU)  
 Diese Regelungen sind im TSPS dokumentiert.



## 1.4 Verwendung von Zertifikaten

### 1.4.1 Erlaubte Verwendungen von Zertifikaten

Diese Regelungen sind im TSPS dokumentiert.

### 1.4.2 Verbotene Verwendungen von Zertifikaten

Diese Regelungen sind im TSPS dokumentiert.

### 1.4.3 Verwendung von Dienstzertifikaten

Diese Regelungen sind im TSPS dokumentiert.

## 1.5 Administration der Policy

### 1.5.1 Zuständigkeit für das Dokument

Diese Regelungen sind im TSPS dokumentiert.

### 1.5.2 Meldung von Sicherheitsvorfällen mit Zertifikaten

Diese Regelungen sind in der CP dokumentiert.

### 1.5.3 Verträglichkeit von CPs fremder CAs mit diesem CPS

Die allgemeinen Regelungen sind im TSPS dokumentiert.

#### **QCP-n-qscd, QCP-l-qscd, QCP-l**

Zertifikate, bzw. deren Sub- sowie Root-CAs kommen den Anforderungen aus [EN 319 411-1], [EN 319 411-2] und [eIDAS] nach. Im Falle von Inkonsistenzen zwischen diesem Dokument und den genannten Richtlinien, gelten vorrangig [eIDAS] und [EN 319 411-2].

#### **QEVCP-w, QNCP-w, EVCP, OVCP**

TLS-Zertifikate bzw. deren Sub- sowie Root-CAs kommen den Anforderungen der „Baseline Requirements of the CA/Browser Forum“ [BRG] in der Version gemäß den Referenzen in der aktuellen CP der D-Trust GmbH sowie [EN 319 411-1] nach.

Darüber hinaus kommen TLS-Zertifikate bzw. deren Sub- sowie Root-CAs der Policy Level QEVCP-w und EVCP zusätzlich den Anforderungen der „Forum Guidelines for Extended Validation Certificates“ [EVGL] in der Version gemäß den Referenzen in der CP 1.6.3 sowie [EN 319 411-2] nach.

Im Falle von Inkonsistenzen zwischen diesem Dokument und den genannten Guidelines gelten vorrangig die [BRG] und [EN 319 411-1] sowie, wenn anwendbar, die [EVGL] und [EN 319 411-2].

#### **QEVCP-w und QNCP-w mit der Ausprägung PSD2**

TLS-Zertifikate bzw. deren Sub- sowie Root-CAs kommen den Anforderungen von [EN 319 411-1], [EN 319 411-2] sowie [TS 119 495] nach. Im Falle von Inkonsistenzen zwischen diesem Dokument und den genannten Guidelines gelten vorrangig [EN 319 411-1], [EN 319 411-2] sowie [TS 119 495].

## 1.6 Begriffe und Abkürzungen

### 1.6.1 Begriffe und Namen

D-TRUST Portal (https://portal.d-trust.net/)	Das neue Antragsportal mit dem Namen „D-TRUST Portal“ und der Web-Adresse „https://portal.d-trust.net/“ hat zu den bisherigen Antragsseiten der D-TRUST die Besonderheit, dass der Kunde bzw. der Antragsteller sich registriert und damit einen personalisierten Zugang bzw. Konto erhält. Über dieses Konto kann der Kunde bzw. der Antragsteller die persönlichen bzw. die im Auftrag einer juristischen Person beantragten qualifizierten Signatur- bzw. Siegelkarten verwalten (beantragen, sperren).
---	--

Weitere Regelungen sind in der CP dokumentiert.

### 1.6.2 Abkürzungen

CP (Certificate Policy)                      Zertifikatsrichtlinie

Weitere Regelungen sind in der CP dokumentiert.

### 1.6.3 Referenzen

Diese Regelungen sind in der CP dokumentiert.

## 2. Verantwortlichkeit für Verzeichnisse und Veröffentlichungen

### 2.1 Verzeichnisse

Der Status von Zertifikaten kann mittels OCSP-Abfrage im Verzeichnisdienst mindestens ein Jahr nach Ablauf der Gültigkeit der Zertifikate abgerufen werden.

#### **QCP-n-qscd, QCP-I-qscd, QCP-I**

Der Status der Zertifikate kann mittels OCSP-Abfrage dauerhaft abgerufen werden.

Weitere Regelungen sind in der CP dokumentiert.

### 2.2 Veröffentlichung von Informationen zu Zertifikaten

Der TSP veröffentlicht folgende Informationen:

- EE-Zertifikate,
- Zertifikatsstatus von TLS Test-Webseiten
- das TSPS,
- dieses CPS,
- die Verpflichtungserklärung,
- die PKI-Nutzerinformation für qualifizierte Vertrauensdienste.

Die weiteren Regelungen sind im TSPS dokumentiert.

### 2.3 Häufigkeit von Veröffentlichungen

#### **QEVCP-w, QNCP-w, EVCP, OVCP, NCP, LCP**

Die Zustimmung zur Veröffentlichung ist Voraussetzung für die Beantragung. Veröffentlichte EE-Zertifikate bleiben bis zum Ende ihrer Gültigkeit sowie mindestens für ein weiteres Jahr und bis zum Jahresende abrufbar.

#### **QCP-I-qscd, QCP-I**

Die Zustimmung zur Veröffentlichung ist Voraussetzung für die Beantragung. Veröffentlichte EE-Zertifikate bleiben bis zum Ende ihrer Gültigkeit sowie mindestens für zehn Jahre und bis zum Jahresende abrufbar.

#### **QCP-n-qscd**

EE-Zertifikate können veröffentlicht, d.h. in das öffentliche Verzeichnis des TSP aufgenommen werden. Der Zertifikatsnehmer kann der Veröffentlichung zustimmen oder diese ablehnen. Veröffentlichte EE-Zertifikate bleiben bis zum Ende ihrer Gültigkeit sowie mindestens für zehn Jahre und bis zum Jahresende abrufbar.

Die Veröffentlichung findet sofort nach Ausstellung eines Zertifikats statt, sofern die Veröffentlichung nicht abgelehnt wurde.

CA-Zertifikate werden nach ihrer Erstellung veröffentlicht und:

- mindestens 10 Jahre (QCP-n-qscd, QCP-I-qscd, QCP-I, EVCP, QEVCP-w, QNCP-w) und bis zum Jahresende bzw.
- mindestens 1 Jahr und bis zum Jahresende (OVCP, NCP, LCP)

nach Ablauf der Gültigkeit der CA vorgehalten.

Sperrlisten werden regelmäßig und bis zum Ende der Gültigkeit des ausstellenden CA-Zertifikats ausgestellt. Sperrlisten werden unmittelbar nach dem Widerruf von Zertifikaten erstellt und veröffentlicht. Auch wenn kein Widerruf von Zertifikaten erfolgt, stellt der TSP sicher, dass alle 12 Stunden eine neue Sperrliste ausgestellt wird. Die Sperrlisten werden mindestens ein Jahr nach Ablauf der Gültigkeit der CA vorgehalten.

CA-Sperrlisten, die von Root-CAs ausgestellt werden, werden mindestens alle 12 Monate erstellt und veröffentlicht, auch wenn kein Widerruf von Zertifikaten vorgenommen wurde. Wird ein CA-Zertifikat widerrufen, wird die CA-Sperrliste innerhalb von 24 Stunden veröffentlicht.

Dieses CPS wird veröffentlicht und bleibt mindestens so lange abrufbar, wie Zertifikate, die auf Basis dieses CPS ausgestellt wurden, gültig sind.

Die Webseiten des TSP können öffentlich und unentgeltlich 24x7 abgerufen werden.

### 2.4 Zugriffskontrollen auf Verzeichnisse

Diese Regelungen sind im TSPS dokumentiert.

### 2.5 Zugang und Nutzung von Diensten

Diese Regelungen sind in der CP dokumentiert.

### 3. Identifizierung und Authentifizierung

#### 3.1 Namensregeln

##### 3.1.1 Arten von Namen

CA- und EE-Zertifikate enthalten grundsätzlich Angaben zu Aussteller (issuer) und Zertifikatsnehmer bzw. Endanwender (subject). Diese Namen werden entsprechend dem Standard [X.500] bzw. [X.509] als *distinguished names* vergeben.

Alternative Namen können registriert und in die subjectAltName-Erweiterung der Zertifikate aufgenommen werden.

##### 3.1.2 Notwendigkeit für aussagefähige Namen

Der verwendete *distinguished name* ist eindeutig innerhalb dieser PKI, wenn es sich nicht um TLS-Zertifikate handelt.

Eine eindeutige Zuordnung des Zertifikats zum Zertifikatsnehmer (bei Zertifikaten für natürliche Personen auch zu dem Endanwender ist gegeben.

Bei alternativen Namen (*subjectAltName*) gibt es, mit Ausnahmen von TLS-Zertifikaten (einschließlich EV-Zertifikate), keine Notwendigkeit für aussagefähige Namen.

Diese Angaben dürfen keine Referenzen auf das Zertifikat selbst enthalten. IP-Adressen sind nicht zugelassen.

##### 3.1.3 Anonymität oder Pseudonyme von Zertifikatsnehmern

Pseudonyme werden ausschließlich für natürliche Personen benutzt. Generell werden Pseudonyme vom TSP vergeben.

Die Freiwählbarkeit von Pseudonymen kann vereinbart werden, siehe Abschnitt 3.1.6. Der TSP behält sich vor, die Vergabe eines Pseudonyms abzulehnen. Die Ablehnung bedarf keiner Begründung.

Auch bei Zertifikaten, die mit Pseudonymen erstellt werden, wird durch den TSP die reale Identität des Endanwenders (und ggf. des Zertifikatsnehmers) in der Dokumentation festgehalten.

##### 3.1.4 Regeln für die Interpretation verschiedener Namensformen

Die Attribute des *distinguished name* (DN-Bestandteile) von EE-Zertifikaten werden wie folgt interpretiert:

DN-Bestandteil	Interpretation
G (givenName)	<p>Vorname(n) der natürlichen Person</p> <ul style="list-style-type: none"> <li>- QCP-I, QCP-I-qscd, QEVCP-w, QNCP-w, EVCP, OVCP: Feld wird nicht verwendet</li> <li>- QCP-n-qscd, NCP, LCP: gemäß dem zur Identifizierung verwendeten Nachweis</li> </ul>

DN-Bestandteil	Interpretation
SN (surname)	<p><i>Familiennamen</i> der natürlichen Person</p> <ul style="list-style-type: none"> <li>- QCP-I, QCP-I-qscd, QEVCP-w, QNCP-w, EVCP, OVCP: Feld wird nicht verwendet</li> <li>- QCP-n-qscd, NCP, LCP: gemäß dem zur Identifizierung verwendeten Nachweis</li> </ul> <p>Bei der Verwendung von Pseudonymen entspricht der SN dem CN.</p>
CN (commonName) (2.5.4.3)	<p><i>Gebräuchlicher Name</i>: Folgende Varianten werden verwendet:</p> <ul style="list-style-type: none"> <li>- Natürlichen Personen ohne Pseudonym: „Vorname(n) Nachname“.</li> <li>- Natürliche Personen mit Pseudonym: „Pseudonym:PN“.</li> <li>- Juristischen Personen: offizielle Bezeichnung der Organisation (Firma, Behörde, Verein etc.), ggf. sinnvolle Abkürzung bei Überschreiten der Zeichenbegrenzung von 64 Zeichen.</li> <li>- Domainnamen: ein FQDN kann in den CN aufgenommen werden. Wenn vorhanden, dann muss dieser zusätzlich als SAN Eintrag hinterlegt werden.</li> <li>- QEVCP-w, QNCP-w, EVCP: Wildcards werden in TLS-Zertifikaten für diese Policy Level nicht verwendet.</li> <li>- OVCP, DVCP: Wildcards können beantragt werden.</li> <li>- Funktion oder Personengruppe: Name der Funktion oder Personengruppe mit der vorangestellten Abkürzung „GRP:“ als Hinweis, dass es sich um ein Gruppenzertifikat handelt</li> <li>- Technische Komponenten: Name des Servers, des Dienstes oder der Applikation, der/die das Zertifikat benutzt.</li> </ul>
SAN (subjectAltName)	<p>Folgende Varianten werden verwendet:</p> <ul style="list-style-type: none"> <li>- E-Mail-Adresse des Zertifikatsnehmers</li> <li>- Technische Komponenten: Name des Servers, des Dienstes oder der Applikation, der/die das Zertifikat benutzt.</li> <li>- Sonderfall: ein oder mehrere Domainnamen können ebenfalls in den SAN aufgenommen werden.</li> <li>- QEVCP-w, QNCP-w, EVCP: Wildcards werden in TLS-Zertifikaten für diese Policy Level nicht verwendet.</li> <li>- OVCP, DVCP: Wildcards können beantragt werden.</li> </ul>
PN (pseudonym)	<p><i>Pseudonym</i>: ist identisch zu CN.</p>

DN-Bestandteil	Interpretation
Serial Number (serialNumber)  (2.5.4.5)	<p><i>Seriennummer</i>: Namenszusatznummer, welche die Eindeutigkeit des Namens sicherstellt (i.d.R. die Antragsnummer).</p> <p>Sonderfall bei EV-Zertifikate gemäß [EVGL]: Registernummer falls vergeben, Datum der Registrierung oder Gründung. Wenn bei Behörden (Government Entity) keine Registernummer oder Gründungsdatum ermittelbar ist, wird das Feld mit dem Text „Government Entity“ befüllt.</p> <p>Produktspezifisch kann das Feld anderweitig verwendet werden.</p>
O (organizationName)  (2.5.4.10)	<p>Offizielle Bezeichnung des Zertifikatsnehmers oder Bezeichnung der <i>Organisation</i>, der der Endanwender angehört oder damit verbunden ist (Firma, Behörde, Verein etc.) entsprechend Existenznachweis, ggf. sinnvolle Abkürzung bei Überschreiten der Zeichenbegrenzung von 64 Zeichen.</p> <p><b>EVCP</b>: Wird im Feld O ein Markenname aufgenommen, so muss der Organisationsname in Klammern gemäß Abschnitt 9.2.1 [EVGL] dahinter aufgeführt werden.</p> <p><b>OVCP</b>: Wird im Feld O ein Markenname aufgenommen, so müssen die Vorgaben aus Abschnitt 7.1.4.2.2 (b) [BRG] eingehalten werden.</p>
OU (organizationalUnitName)  (2.5.4.11)	<p>Organisationseinheit der Organisation, wie z.B. Abteilung, Bereich oder andere Unterteilung oder</p> <p>QEVCP-w, QNCP-w: Markenname der Organisation.</p> <p>EVCP, OVCP: Markenname der Organisation (Feld wird für EVCP und OVCP ab 01.09.2022 nicht mehr verwendet)</p>

DN-Bestandteil	Interpretation
OrgID (organizationIdentifier)  (2.5.4.97)	<p><b>QCP-I-qscd:</b> Eindeutige Organisationsnummer der Organisation.</p> <p>Es kann die Nummer des Handelsregistereintrags sowie die Umsatzsteueridentnummer oder eine von D-Trust vergebene Nummer eingetragen werden.</p> <p>Die von D-Trust vergebene Nummer ist an das Format gemäß Variante 3 aus Kapitel 5.1.4 der EN 319 412-1 angelehnt und setzt sich wie folgt zusammen:</p> <p>DT:DE-1234567890 (DT: D-TRUST; DE: Deutschland; zufällige Nummer, die der Organisation eindeutig zugeordnet wird).</p> <p><b>QEVCP-w, EVCP, OVCP:</b> Feld wird nicht verwendet</p> <p><b>QEVCP-w, QNCP-w, QCP-I und QCP-I-qscd mit der Ausprägung PSD2:</b>  <i>PSD2 Authorisation Number</i></p> <p>Bei Zertifikaten, die im Rahmen des PSD2-Verfahrens gemäß [TS 119 495] eingesetzt werden, ist das Setzen des organization identifiers (2.5.4.97) verpflichtend. Die Eindeutigkeit wird über die „Authorisation Number“ gewährleistet.                      Die „Authorisation Number“ besteht aus den Zeichen:</p> <p style="text-align: center;"><b>PSD&lt;cc&gt;-&lt;x..x&gt;-&lt;y..y&gt;</b></p> <p>Wobei</p> <p>"PSD" - "legal person identity type", enthält 3 Zeichen;                      &lt;cc&gt; ISO 3166 Ländercode der nationalen zuständigen Behörde (NCA) - genau 2 Zeichen</p> <p>Hyphen-minus "-"                      &lt;x..x&gt; Identifikator der NCA - 2 - 8 Großbuchstaben A - Z, keine Leerzeichen</p> <p>Hyphen-minus "-"                      &lt;y..y&gt; Identifikator des Zahlungsdienstleisters, wie von der NCA festgelegt - Beliebige Zeichenfolge                      Beispiel: PSDDE-BAFIN-1234Ab</p>
C (countryName)  (2.5.4.6)	<p>Das aufzuführende Land wird gemäß [ISO 3166] notiert und ergibt sich wie folgt: Ist eine Organisation O im DistinguishedName aufgeführt, so bestimmt der im Register benannte Sitz der Organisation den Eintrag im Zertifikat. Ist keine Organisation O eingetragen, so wird das Land aufgenommen, dass das Dokument ausgestellt hat, mit dem der Zertifikatsnehmer identifiziert wurde.</p> <p>EVCP: gemäß Abschnitt 9.2.6 [EVGL]</p>
Street (streetAddress)  (2.5.4.9)	<p>Postalische Adresse Straße und Hausnummer</p> <p>EVCP: gemäß Abschnitt 9.2.6 [EVGL]</p>

DN-Bestandteil	Interpretation
Locality (localityName) (2.5.4.7)	Postalische Adresse <i>Ort</i> EVCP: gemäß Abschnitt 9.2.6 [EVGL]
State (stateOrProvinceName) (2.5.4.8)	Postalische Adresse ( <i>Bundes-)</i> Land EVCP: gemäß Abschnitt 9.2.6 [EVGL]
PostalCode (postalCode) (2.5.4.17)	Postalische Adresse <i>Postleitzahl</i> EVCP: gemäß Abschnitt 9.2.6 [EVGL]
BusinessCategory (businessCategory) (2.5.4.15)	Business Category gemäß [EVGL] Wird nur bei EVCP verwendet. Das Feld „businessCategory“ muss eines der folgenden Werte enthalten: "Private Organization", "Government Entity", "Business Entity" oder "Non-Commercial Entity".
Jurisdiction Of Incorporation Locality (jurisdictionLocalityName)	Gerichtsstand der Organisation gemäß [EVGL]: <i>Ort</i> (1.3.6.1.4.1.311.60.2.1.1) Wird nur bei EVCP und wenn es gemäß der Ebene der tatsächlichen Registrierung anwendbar ist, verwendet.
Jurisdiction Of Incorporation State Or Province Name (jurisdictionStateOrProvinceName)	Gerichtsstand der Organisation: ( <i>Bundes-)</i> Land (1.3.6.1.4.1.311.60.2.1.2) Wird nur bei EVCP und wenn es gemäß der Ebene der tatsächlichen Registrierung anwendbar ist, verwendet.
Jurisdiction Of Incorporation CountryName (jurisdictionCountryName)	Gerichtsstand der Organisation gemäß [EVGL]: <i>Land</i> (1.3.6.1.4.1.311.60.2.1.3) Wird nur bei EVCP und wenn es gemäß der Ebene der tatsächlichen Registrierung anwendbar ist, verwendet.

Weitere Regelungen sind in der TSPS in Abschnitt 7.1.4 dokumentiert.

**QEVCP-w, QNCP-w<sup>6</sup>, EVCP**

TLS-Zertifikate enthalten mindestens die subject-DN-Bestandteile „organizationName“, „commonName“, „serialNumber“, „jurisdictionCountryName“, „localityName“, „streetAddress“, „countryName“, „postalCode“, „businessCategory“ sowie „subjectAltName“.

TLS-Zertifikate dürfen nur die subject-DN-Bestandteile enthalten, die in Abschnitt 9.2 [EVGL] definiert sind.

<sup>6</sup> Bei QEVCP-w und QNCP-w Zertifikaten mit der Ausprägung PSD2 wird der „organizationIdentifier“ zusätzlich gesetzt und geprüft.



**QCP-n-qscd**

Qualifizierte Zertifikate für natürliche Personen enthalten mindestens die subject-DN-Bestandteile „commonName“, „countryName“, „serialNumber“ sowie entweder „GivenName“ und „Surname“ oder „Pseudonym“.

**QCP-I, QCP-I-qscd**

Qualifizierte Zertifikate für juristische Personen enthalten mindestens die subject-DN-Bestandteile „commonName“, „countryName“, „serialNumber“ und „organizationName“ sowie „organizationIdentifier“.

Es müssen nicht alle genannten DN-Bestandteile verwendet werden. Weitere können ergänzt werden. Ergänzende DN-Bestandteile müssen [RFC 5280], [RFC 6818] und ETSI [ETSI EN 319 412] entsprechen.

## 3.1.5 Eindeutigkeit von Namen

Der TSP stellt sicher, dass ein in EE-Zertifikaten verwendeter Name (DistinguishedName) des Zertifikatsnehmers bzw. des Endanwenders (Feld subject) innerhalb dieser PKI stets dem gleichen Zertifikatsnehmer bzw. Endanwender zugeordnet ist.

**QCP-I, QCP-I-qscd, QCP-w, EVCP, OVCP, LCP**

Die Eindeutigkeit des Zertifikats wird mittels der Seriennummer erzielt.

Der TSP stellt die Eindeutigkeit von *distinguished names* in CA-Zertifikaten sicher.

## 3.1.6 Anerkennung, Authentifizierung und die Rolle von Markennamen

Der Zertifikatsnehmer haftet für die Einhaltung geistiger Eigentumsrechte in den Antrags- und Zertifikatsdaten (siehe Zertifikatsrichtlinie der D-Trust GmbH, Abschnitt 9.5).

**QEVCP-w, QNCP-w, EVCP**

Der TSP unternimmt notwendige Schritte um sicherzustellen, dass zum Zeitpunkt der Ausstellung des Zertifikates, derjenige, der im Feld „Subject“ des Zertifikates benannt ist, die nachweisliche Kontrolle über die im SAN-Feld enthaltene Domain bzw. Domainbestandteile besitzt.

**QEVCP-w, QNCP-w, EVCP, OVCP**

Der TSP unternimmt notwendige Schritte um sicherzustellen, dass zum Zeitpunkt der Ausstellung des Zertifikates, der Antragsteller nachweislich das Recht hat, den im Zertifikat aufgenommene Markennamen zu nutzen. Die Vorgaben aus Abschnitt 3.2.2.2 [BRG] ggf. Abschnitt 11.3 [EVGL] werden eingehalten.

## 3.2 Initiale Überprüfung der Identität

Es ist ein Verfahren etabliert, das sicherstellt, dass die Datenquellen zur Validierung von Zertifikatsinhalten gemäß Abschnitt 3.2.2.7 [BRG] geprüft und freigegeben werden. Alle Datenquellen sind von der D-Trust Organisationseinheit für Informationssicherheit freigegeben.

D-Trust qualifiziert und verwendet Qualifizierte Unabhängige Informationsquellen (QIIS) gemäß Abschnitt 11.11.5 [EVGL]. QIIS ist ein Teil des Prüfverfahrens „Register“ im Abschnitt 4.2.1 des TSPS.

Es ist ein Verfahren etabliert, das sicherstellt, dass der Antragsteller über eine verifizierte Kommunikationsmethode gemäß 11.5 [EVGL] zuverlässig kontaktiert werden kann und darüber bestätigen kann, dass er die Anfrage kennt und diesem zustimmt.

## 3.2.1 Nachweis für den Besitz des privaten Schlüssels

Es werden zwei Fälle unterschieden:

- a) Schlüsselpaare von Zertifikatsnehmern werden im Verantwortungsbereich des TSP produziert. Mit der Übergabe der Signatur- bzw. Siegelkarte (QCP-n-qscd, QCP-I-qscd)

oder Soft-PSE (LCP) und ggf. PIN-Briefe gemäß Abschnitt 4.4.1 an die Zertifikatsnehmer durch den TSP wird sichergestellt, dass die privaten Schlüssel in den Besitz der Zertifikatsnehmer gelangen.

Wird nicht angeboten für QEVCP-w, QNCP-w, EVCP, OVCP.

- b) Schlüsselpaare werden im Verantwortungsbereich des Zertifikatsnehmers produziert. Der Besitz des privaten Schlüssels muss entweder technisch nachgewiesen werden oder vom Zertifikatsnehmer nachvollziehbar bestätigt werden. Mit der Übersendung eines PKCS#10-Requests an den TSP bestätigt der Zertifikatsnehmer verbindlich im Besitz des privaten Schlüssels zu sein (nicht für QCP-l-qscd und QCP-n-qscd anwendbar).

### 3.2.2 Identifizierung und Authentifizierung von Organisationen

Organisationen, die entweder im Zertifikat genannt werden oder in deren Namen Zertifikate ausgestellt werden, müssen sich eindeutig authentisieren.

Für die Teilnehmeridentifizierung und die Antragsprüfung gelten die Vorgaben aus [EN 319 411-1] je nach Anwendbarkeit NCP, LCP, EVCP oder OVCP bzw. [EN 319 411-2] für QEVCP-w, QNCP-w, QCP-l, oder QCP-l-qscd. Die Prüfung erfasst alle DN-Bestandteile.

In den verschiedenen Policy Leveln werden die vorgestellten Prüfverfahren wie folgt auf die DN-Bestandteile nach Abschnitt 3.1.4 und ggf. weitere Attribute angewendet. Die in der folgenden Tabelle angegebenen Verfahren sind in Abschnitt 4.2.1 beschrieben.

	QEVCP-w, EVCP	QEVCP-w und QNCP-w mit PSD2	OVCP	QCP-l, QCP-l-qscd	LCP	NCP <sup>7</sup>
CN	Register/ Non-Register/ Domain/ CAA	Register/ Non-Register/ Domain/ CAA	Register/ Non-Register/ Domain/ CAA	Register/ Non-Register	HR-DB/ Dok-Ident/ Register/ Non-Register	Register/ Non-Register
C	Register/ Non-Register/ Domain	Register/ Non-Register/ Domain	Register/ Non-Register/ Domain		PersIdent/ Register/ Non-Register	Register/ Non-Register
O					Register/ Non-Register	
OrgID	n.a.	Register	n.a.	Register	n.a.	n.a.
OU <sup>8</sup>	Z- Bestätigung/ A- Bestätigung/ Register	Z- Bestätigung/ A- Bestätigung/ Register	Z- Bestätigung/ A- Bestätigung/ Register	Z- Bestätigung / A- Bestätigung / Register	Z- Bestätigung/ A- Bestätigung	Z- Bestätigu ng/ A- Bestätigu ng/
STREET	Register/ Non-Register	Register/ Non-Register	Register/ Non-Register	Register/ Non-Register	n.a	n.a.
L						
State						
PostalCode						

<sup>7</sup> Gilt nur für Organisations- und Maschinenzertifikate, außer für TLS-Zertifikate.

<sup>8</sup> Für EVCP, OVCP, DVCP, LCP und NCP wird perspektivisch das Feld „OU“ entfallen.

	QEVCW-w, EVCP	QEVCW-w und QNCP-w mit PSD2	OVCP	QCP-I, QCP-I-qscd	LCP	NCP <sup>7</sup>
Alternativer Antragsteller (SAN)	Domain	Domain	Domain	n.a.	Domain/ E-Mail/ HR-DB	Domain/ CAA/ E-Mail
Alle weiteren Attribute	n.a.	n.a.	n.a.	n.a.	A- Bestätigung/ Dok-Ident/ Out-of-band mechanisms	n.a.
BusinessCategory (businessCategory)	<b>Private Organization</b> Register  <b>Government Entity</b> Register/ Non-Register  <b>Business Entity</b> Register in Verbindung mit Pers- Ident  <b>Non-Commercial Entity</b> Non- Register/ Z- Bestätigung	Nur für QEVCW-w: <b>Private Organization</b> Register  <b>Government Entity</b> Register/ Non- Register  <b>Business Entity</b> Register in Verbindung mit Pers- Ident  <b>Non-Commercial Entity</b> Non- Register/ Z- Bestätigung	n.a.	n.a.	n.a.	n.a.

Wird der Antrag im Auftrag einer juristischen Person gestellt, muss der Vertreter (analog zu dem Verfahren für die Organisationszugehörigkeit aus Abschnitt 3.2.3) seine diesbezügliche Berechtigung nachweisen und sich authentifizieren und ggf. identifizieren für qualifizierte Siegelzertifikate gemäß QCP-I, QCP-I-qscd, für fortgeschrittene Organisations- und Maschinenzertifikate (außer TLS-Zertifikate) gemäß NCP und für Webseitenzertifikate gemäß QEVCW-w, QNCP-w und EVCP.

Es ist ein Verfahren etabliert, das sicherstellt, dass die operative Existenz des Antragstellers (juristische Person) gemäß 11.6 [EVGL] zuverlässig geprüft wird.

Die D-Trust bezieht ihre Informationen von verschiedenen „Registerführenden Stellen“ (Registration Agency oder Incorporating Agency) gemäß des Prüfverfahrens „Register“ im Abschnitt 4.2.1 des TSPS, die in einer Tabelle im Repository veröffentlicht ist:

[https://www.d-trust.net/internet/files/D-TRUST\\_Agency-Information.pdf](https://www.d-trust.net/internet/files/D-TRUST_Agency-Information.pdf)

Relevante Informationen zum Zertifikat, die den Registerauszügen entnommen sind, werden genauso in die Zertifikatinhalte geschrieben, wie sie im Registerauszug veröffentlicht sind.

**Nachweise in nicht lateinischer Schrift werden nicht akzeptiert.**

### 3.2.3 Identifizierung und Authentifizierung natürlicher Personen

Natürliche Personen, die Zertifikate beantragen, müssen sich eindeutig identifizieren und ggf. ihre Berechtigung zur Antragstellung durch die Organisation nachweisen.

#### **NCP, LCP**

Natürliche oder juristische Personen, die für andere Zertifikatsnehmer Zertifikate beantragen, müssen ihre Berechtigung zur Antragstellung nachweisen.

Die vorgestellten Prüfverfahren werden wie folgt auf die DN-Bestandteile nach Abschnitt 3.1.4 und ggf. weitere Attribute angewendet. Die angegebenen Verfahren sind in Abschnitt 4.2.1 beschrieben.

	<b>LCP</b>	<b>NCP</b>	<b>QCP-n-qscd</b>
G	HR-DB/ Dok-Ident/ Pers-Ident/ eID	HR-DB/ Pers-Ident/ eID	Pers-Ident/ eID/ NotarIdent/ BotschaftsIdent
SN			
CN	HR-DB/ Dok-Ident/ Register/ Non-Register	HR-DB/ Dok-Ident/ Register/ Non-Register	Pers-Ident/ eID NotarIdent/ BotschaftsIdent
C	PersIdent/ eID/ Register/ Non-Register	PersIdent/ eID/ Register/ Non-Register	
O	Register/ Non-Register	Register/ Non-Register	Register/ Non-Register/ Z-Bestätigung/ A-Bestätigung
OU	Z-Bestätigung/ A-Bestätigung	Z-Bestätigung/ A-Bestätigung	Z-Bestätigung/ A-Bestätigung
STREET	n.a.	n.a.	n.a.
L			
State			
PostalCode			
Alternativer Antragsteller (SAN)	Domain/ E-Mail/ HR-DB	Domain/ CAA/ E-Mail/ HR-DB	E-Mail
Alle weiteren Attribute	A-Bestätigung/ Dok-Ident/ Out-of-band mechanisms	A-Bestätigung/ Dok-Ident out-of-band mechanisms	A-Bestätigung/ Dok-Ident/ Out-of-band mechanisms

#### **QEVCP-w, QNCP-w, EVCP, OVCP, LCP, NCP**

Bei Antrag auf Zertifikate für Gruppen, Funktionen oder IT-Prozesse, werden alle in der Tabelle aufgeführten Attribute zum Endanwender (bis auf OU, alle weiteren Attribute, wenn nicht zertifikatsrelevant) geprüft. Für die Aufnahme von Namen für Gruppen, Funktionen oder IT-Prozesse im CN gelten die Verfahren analog zu Zeile „Alle weiteren Attribute“.

***Nachweise in nicht lateinischer Schrift werden nicht akzeptiert.***

### 3.2.4 Ungeprüfte Angaben zum Zertifikatsnehmer

Die Angaben des Zertifikatsnehmers werden entsprechend den Abschnitten 3.2.2, 3.2.3 und 4.2.1 geprüft bzw. nicht geprüft.

#### **QEVCP-w, QNCP-w, EVCP, OVCP, LCP, NCP**

Alle Angaben im Zertifikat werden verifiziert.

Bei alternativen Namen werden generell nur die E-Mail-Adressen bzw. deren Domainbestandteile geprüft. Andere Alternative Namen wie z.B. LDAP-Verzeichnisse etc. sowie eventuelle Zertifikats-Extensions (AdditionalInformation, monetaryLimit, etc.) werden nicht auf Korrektheit geprüft.

Eine Ausnahme bilden hierbei TLS-Zertifikate nach QEVCP-w, QNCP-w und EVCP, bei denen der Alternative Name für die Aufnahme weiterer URLs genutzt wird. In diesen Fällen werden auch Domains in dNSNames geprüft.

### 3.2.5 Prüfung der Berechtigung zur Antragstellung

Bei natürlichen Personen werden Identitätsnachweis und ggf. die Organisationszugehörigkeit mittels der Verfahren gemäß Abschnitt 3.2.3 ermittelt und geprüft bzw. bestätigt.

Bei Organisationen wird der Existenznachweis sowie die Vertretungsberechtigung des Antragstellers nach Abschnitt 3.2.2 geprüft bzw. bestätigt. Weiterhin wird mindestens ein technischer Vertreter persönlich bzw. über ein entsprechendes Ident-Verfahren identifiziert.

### 3.2.6 Kriterien für die Interoperabilität

Siehe Abschnitt 1.5.3.

## 3.3 Identifizierung und Authentifizierung von Anträgen auf Schlüsselerneuerung (re-keying)

Eine Schlüsselerneuerung ist gleichbedeutend mit der erneuten Produktion von Zertifikaten ggf. Token und Schlüsseln für denselben Endanwender, dennoch kann auf bereits geprüfte und noch verwertbare Daten und Nachweise des Endanwenders zurückgegriffen werden.

Abweichende Verfahren können kundenindividuell vereinbart werden, deren Umsetzung im Ermessen des TSP liegen, wenn sie keiner Zertifizierung nach [EN 319 411-1] oder [EN 319 411-2] unterliegen. Die Bedingungen des Abschnitts 4.7 müssen erfüllt werden.

Schlüsselerneuerung auf Basis eines widerrufenen Zertifikats wird nicht angeboten.

## 3.4 Identifizierung und Authentifizierung von Sperranträgen

Die Sperrberechtigung wird wie folgt geprüft:

- Bei einem Sperrantrag, der in einer signierten E-Mail eingeht, muss der Sperrantragsteller entweder der Zertifikatsnehmer selbst sein oder als sperrberechtigter Dritter benannt worden sein, dessen Zertifikat dem TSP vorliegen muss. (nur NCP und LCP)
- Bei telefonischem Sperrantrag oder einem Antrag per E-Mail ohne Signatur muss der Sperrberechtigte das entsprechende Sperrpasswort korrekt nennen.
- Schriftliche Sperranträge werden anhand der Unterschrift des Sperrantragstellers überprüft.
- Elektronische Sperranträge über eine Online-Schnittstelle können mittels eines, über einen sicheren und vorher vereinbarten Kanal übertragenen Geheimnisses autorisiert werden (z.B. SMS-TAN, Sperrpasswort).

Andere Verfahren zur Authentifizierung von Sperranträgen können mit dem Zertifikatsnehmer vereinbart werden.

**NCP, LCP**

Sperranträge eines Endanwenders sind grundsätzlich an den technischen Ansprechpartner der RA zu richten. Dieser löst dann einen Sperrauftrag beim TSP über die vereinbarte Online-Schnittstelle aus. Der technische Ansprechpartner muss sich zwingend gegenüber der Online-Schnittstelle des TSPs eindeutig authentifizieren. Für den Fall, dass der technische Ansprechpartner, dem Endanwender das Sperrpasswort mitgeteilt hat, kann der Endanwender auch andere Sperrverfahren nutzen.

Sperrverfahren werden in Abschnitt 4.9 definiert.

**4. Betriebsanforderungen**

4.1 Zertifikatsantrag und Registrierung

4.1.1 Berechtigung zur Antragstellung

Anträge dürfen von natürlichen Personen und juristischen Personen (deren autorisierten Vertretern) gestellt werden.

Die allgemeinen Regelungen sind im TSPS dokumentiert.

**NCP, LCP**

Gruppen- oder Teamzertifikate werden ausschließlich für juristische Personen und Einzelunternehmen ausgestellt.

**QEVCP-w, EVCP**

Zertifikatsnehmer müssen den Anforderungen aus [EVGL] entsprechen.

Der TSP ist berechtigt, Anträge abzulehnen (siehe Abschnitt 4.2.2).

4.1.2 Registrierungsprozess und Zuständigkeiten

Die allgemeinen Regelungen sind im TSPS dokumentiert.

In diesem CPS finden die in Abschnitt 1.1.3 genannten Policy Level QCP-n-qscd, QCP-l-qscd, QCP-l, QEVCP-w, QNCP-w, EVCP, OVCP, NCP und LCP Anwendung. Der Registrierungsprozess und die Zuständigkeiten für die jeweiligen Policy Level werden in der TSPS beschrieben.

4.2 Verarbeitung des Zertifikatsantrags

4.2.1 Durchführung der Identifizierung und Authentifizierung

Im Rahmen des Root CPS sind je nach Policy Level bestimmte Identifizierungsverfahren zugelassen. Welche Identifizierung und Authentifizierung je nach Policy Level zugelassen ist, ist den Tabellen in den Abschnitten 3.2.2 und 3.2.3 zu entnehmen. Diese sind im Folgenden aufgelistet und werden im TSPS erläutert:

- Pers-Ident**
- eID**
- NotarIdent**
- BotschaftsIdent**
- Dok-Ident**
- Register**
- Non-Register**
- HR-DB**
- Z-Bestätigung**
- A-Bestätigung**
- out-of-band-Mechanismen**
- Domain**

### **E-Mail-Adresse CAA**

Identifizierung und Authentifizierung finden gemäß den Abschnitten 3.2.2 und 3.2.3 statt.

#### 4.2.2 Annahme oder Ablehnung von Zertifikatsanträgen

Diese Regelungen sind im TSPS dokumentiert.

#### 4.2.3 Fristen für die Bearbeitung von Zertifikatsanträgen

Diese Regelungen sind im TSPS dokumentiert.

### 4.3 Ausstellung von Zertifikaten

#### 4.3.1 Vorgehen des TSP bei der Ausstellung von Zertifikaten

Die allgemeinen Regelungen sind im TSPS dokumentiert.

Darüber hinaus gibt es im Rahmen des Root CPS folgende spezifische Regelungen:

#### **QSCD**

Bei der Erstellung von QSCDs werden vom TSP alle Ereignisse auditierbar geloggt bzw. protokolliert.

#### **EVCP, QEVCP-w, OVCP**

Die D-Trust GmbH verwendet bei der Ausstellung von TLS-Zertifikaten Certificate Transparency (CT) gemäß RFC 6962. Einige Browser verpflichten zur Veröffentlichung aller durch die CA ausgestellten TLS-Zertifikate in mindestens drei revisions sicheren Logs externer Anbieter.

Dies gilt nur, wenn das Produkt mit CT-Logging angeboten wird und im Bestellprozess entsprechend ausgewählt wurde.

Bei TLS-Zertifikaten wird ein Pre-Issuance Linting durchgeführt.

#### 4.3.2 Benachrichtigung des Zertifikatsnehmers über die Ausstellung des Zertifikats

Diese Regelungen sind im TSPS dokumentiert.

### 4.4 Zertifikatsübergabe

#### 4.4.1 Verhalten bei der Zertifikatsübergabe

Chipkarten werden entweder an die angegebene Adresse per Briefdienstleister oder Kurier versendet oder persönlich durch die RA oder einen autorisierten Mitarbeiter oder Funktionsträger an den Zertifikatsnehmer oder auf dessen Wunsch an den Endanwender ausgehändigt.

#### **NCP, LCP**

Zertifikate, deren privater Schlüssel im Bereich des TSP erstellt wurde, werden je nach Wunsch des Zertifikatsnehmers auf einem Speichermedium (mit der Post an die im Antrag benannte Adresse) versandt, zum zugriffsgeschützten und TLS-verschlüsselten Download bereitgestellt oder per E-Mail gesendet (die PKCS#12-Datei ist mit einer PIN geschützt).

#### **QCP-I, QEVCP-w, QNCP-w, EVCP, OVCP, NCP, LCP**

Wird ein Zertifikat zu einem beim Zertifikatsnehmer vorhandenen Schlüsselpaar ausgestellt, wird das Zertifikat entweder zum Download bereitgestellt (z. B. im Verzeichnisdienst veröffentlicht) oder elektronisch versendet.

#### **QCP-n-qscd, QCP-I-qscd**

Der TSP verwendet ausschließlich qualifizierte Signatur-/Siegelerstellungseinheiten und überwacht während der Gültigkeit der ausgegebenen qualifizierten Zertifikate den Status dieser qualifizierten Signatur-/Siegelerstellungseinheiten im Sinne EN 319 411-2. Die PIN wird separat an den Endanwender übergeben.

Kundenspezifisch können abweichende Verfahren vereinbart werden.

Die allgemeinen Regelungen sind im TSPS dokumentiert.

#### 4.4.2 Veröffentlichung des Zertifikats durch den TSP

Hat der Zertifikatsnehmer im Zertifikatsantrag der Veröffentlichung der Zertifikate zugestimmt, werden die Zertifikate nach der Produktion in den öffentlichen Verzeichnisdienst eingestellt. Hat der Zertifikatsnehmer die Veröffentlichung abgelehnt, wird das Zertifikat nicht veröffentlicht.

#### 4.4.3 Benachrichtigung anderer PKI-Teilnehmer über die Ausgabe des Zertifikats

Sperrberechtigte Dritte nach Abschnitt 4.9.2 werden schriftlich benachrichtigt und erhalten das Sperrpasswort, sofern nichts anderes mit der Organisation oder dem sperrberechtigten Dritten vereinbart wurde.

### 4.5 Verwendung des Schlüsselpaars und des Zertifikats

#### 4.5.1 Verwendung des privaten Schlüssels und des Zertifikats durch den Zertifikatsnehmer

Zertifikatsnehmer und Endanwender dürfen ihre privaten Schlüssel ausschließlich für die Anwendungen nutzen, die in Übereinstimmung mit den im Zertifikat angegebenen Nutzungsarten (keyUsage) stehen.

#### **QCP-n-qscd, QCP-I-qscd, QCP-I, QEVCP-w, QNCP-w**

Nach Ablauf des Gültigkeitszeitraums oder nach dem Widerruf des Zertifikats dürfen die zugehörigen privaten Schlüssel nicht mehr genutzt werden.

Für Zertifikatsnehmer gelten die Bestimmungen aus Abschnitt 1.4.

#### 4.5.2 Verwendung des öffentlichen Schlüssels und des Zertifikats durch Zertifikatsnutzer

Diese Regelungen sind im TSPS dokumentiert.

### 4.6 Zertifikatserneuerung (certificate renewal)

Es gelten die Anforderungen aus Abschnitt 4.7 und 3.3.

### 4.7 Zertifikatserneuerung mit Schlüsselerneuerung

Eine Zertifikatserneuerung ist die erneute Ausstellung eines Zertifikats, das auf den Inhaltsdaten des ursprünglichen Zertifikats beruht. Für die erneuerten Zertifikate gilt die zum Zeitpunkt der Erneuerung aktuelle CP und CPS.

Bei CA-Schlüsseln wird keine Zertifikatserneuerung durchgeführt.

Abweichende Verfahren können kundenindividuell vereinbart werden, deren Umsetzung im Ermessen des TSP liegen, wenn sie keiner Zertifizierung nach EN 319 411-1 unterliegen. Die Bedingungen des Abschnitts 3.3 müssen erfüllt werden.

#### 4.7.1 Bedingungen für eine Zertifikatserneuerung

Haben sich grundsätzliche Änderungen an den Nutzungsbedingungen ergeben, wird der Zertifikatsnehmer darüber informiert. Der Zertifikatsnehmer bestätigt die neuen Bedingungen.



Bei einem Antrag auf Zertifikatserneuerung kann – im Gegensatz zu einem neuen Antrag auf ein Zertifikat – der Vorgang der initialen Identifizierung entfallen.

Voraussetzung ist, dass das Zertifikat für denselben Endanwender ausgestellt wird. Das zu erneuernde Zertifikat muss zum Zeitpunkt der elektronischen Antragstellung auf Zertifikatserneuerung noch gültig sein oder geprüfte Daten und Nachweise sind für die Erneuerung vorhanden und verwendbar.

#### 4.7.2 Berechtigung zur Zertifikatserneuerung

Jeder Zertifikatsnehmer, der (nach Abschnitt 4.1.1) berechtigt ist, einen Zertifikatsantrag zu stellen, kann eine Zertifikatserneuerung beantragen, wenn der TSP ein entsprechendes Verfahren für das gewählte Produkt anbietet.

#### 4.7.3 Bearbeitung eines Antrags auf Zertifikatserneuerung

Es gelten die in Abschnitt 4.3 festgelegten Regelungen.

#### 4.7.4 Benachrichtigung des Zertifikatsnehmers über die Ausgabe eines neuen Zertifikats

Es gelten die in Abschnitt 4.3.2 festgelegten Regelungen.

#### 4.7.5 Verhalten bei der Ausgabe einer Zertifikatserneuerung

Es gelten die in Abschnitt 4.4.1 festgelegten Regelungen.

#### 4.7.6 Veröffentlichung der Zertifikatserneuerung durch den TSP

Es gelten die in Abschnitt 4.4.2 festgelegten Regelungen, je nach Angaben im Erstantrag.

#### 4.7.7 Benachrichtigung anderer PKI-Teilnehmer über die Erneuerung des Zertifikats

Es gelten die in Abschnitt 4.4.3 festgelegten Regelungen.

### 4.8 Zertifikatsänderung

Diese Regelungen sind im TSPS dokumentiert.

### 4.9 Widerruf und Suspendierung von Zertifikaten

#### 4.9.1 Bedingungen für einen Widerruf von Zertifikaten

Diese Regelungen sind im TSPS dokumentiert.

Sperrberechtigte müssen sich gemäß Abschnitt 3.4 authentifizieren.

#### 4.9.2 Berechtigung zum Widerruf

Diese Regelungen sind im TSPS dokumentiert.

#### 4.9.3 Verfahren für einen Sperrantrag

Soweit ein Sperrpasswort vereinbart wurde, können Sperranträge per E-Mail, telefonisch oder via Online-Schnittstelle gestellt werden.

Über die Online-Schnittstelle können Zertifikate grundsätzlich 24x7 widerrufen werden. Sowohl Zertifikatsnehmer als auch Sperrberechtigte können über die Online-Schnittstelle sperren und müssen sich dafür mit ihrem vereinbarten Sperrpasswort authentifizieren.

Online-Schnittstelle: <https://my.d-trust.net/sperrantrag>

Der Zertifikatsnehmer bzw. der Sperrberechtigte können im Bedarfsfall telefonische Unterstützung beim Widerrufen eines Zertifikats einholen. Dafür übergibt der

Sperrantragsteller (Zertifikatsnehmer bzw. Sperrberechtigte) dem Support Mitarbeiter die Antrags-ID und das zugehörige Sperrpasswort, damit der Support Mitarbeiter für den Sperrantragsteller die Eingabe über die Online-Schnittstelle tätigt.

Telefonischer Support: +49 (0)30 / 25 98 – 0

**Besonderheit bei Kunden, die im D-TRUST Portal (<https://portal.d-trust.net/>) registriert sind und darüber qualifizierte Signatur-bzw. Siegelkarten bestellen:**

Wenn qualifizierte Signatur- bzw. Siegelkarten über ein persönliches Konto im D-TRUST Portal bestellt wurden, muss die Sperrung auch dort durchgeführt werden. Der sperrberechtigte der Organisation muss die Sperrung weiterhin über die folgende Adresse vornehmen: <https://my.d-trust.net/sperrn>.

Mit der Sperrung der Karte werden alle dazugehörigen Zertifikate widerrufen. Ein Widerruf kann grundsätzlich nicht rückgängig gemacht werden.

Für die Sperrung eines Zertifikats via E-Mail teilt der Zertifikatsnehmer bzw. der Sperrberechtigte die Antrags-ID des Zertifikats und das zugehörige Sperrpasswort mit. Per E-Mail eintreffende Sperranträge werden spätestens am folgenden Arbeitstag bearbeitet.

E-Mail-Adresse: [sperrn@d-trust.net](mailto:sperrn@d-trust.net)

Ein Sperrantrag kann auch per Briefpost eingereicht werden.

Anschrift für Sperranträge: D-Trust GmbH  
Kommandantenstr. 15  
10969 Berlin

Ein schriftlicher Antrag zum Widerruf muss eindeutig das zu widerrufende Zertifikat beschreiben und daher folgende Angaben enthalten:

- Name des Sperrantragstellers,
- Name des Zertifikatsnehmers,
- Zertifikatsseriennummer, damit das Zertifikat eindeutig identifiziert werden kann.

Der Antragsteller muss in Kenntnis seines Sperrpasswortes sein, da im Anschluss eine telefonische Verifikation über das Sperrpasswort durchgeführt wird.

Einen Terminwunsch für einen Widerruf in der Zukunft, sofern der Termin im Rahmen der Zertifikatslaufzeit ist, kann nur im Rahmen des schriftlichen Sperrantrags angenommen werden, wenn ein schriftlicher Sperrantrag durch das Vorliegen einer Unterschriftsprobe möglich ist. Ein Widerruf per Telefon bzw. über die Online-Schnittstelle wird sofort wirksam.

Statusänderungen im OCSP sind unverzüglich nach einem Widerruf zur Abfrage verfügbar. Statusänderungen in einer CRL beinhalten dieselben Sperrinformationen, aber es kann bis 60 Minuten dauern bis die aktuelle CRL veröffentlicht wird.

Andere Sperrverfahren können vereinbart werden.

Der Widerruf eines Zertifikats wird in der Verantwortung des TSP durchgeführt. Ungeachtet dessen kann der TSP Teilaufgaben an vertraglich gebundene Dritte weitergeben. Die Sperrdienstleistung kann von Dritten übernommen werden, die nach den Maßgaben des TSP handeln.

Die Verfahrensanweisungen beinhalten strikte Vorgaben für die Erfüllung der Sperrdienstleistung und beschreiben detailliert Abläufe und Verhaltensvorgaben im Fehlerfall.

Die vom Sperrantragsteller angegebenen Sperrgründe werden dokumentiert. Nach erfolgtem Widerruf des Zertifikats wird der Zertifikatsnehmer bzw. der Endanwender über den Widerruf informiert.

Die Authentifizierung der Sperrberechtigten erfolgt gemäß Abschnitt 3.4.

#### **PSD2 spezifisches Sperrverfahren**

Ausschließlich Behörden als Herausgeber von PSD2 spezifischen Attributen können über die folgende E-Mail ihren Sperrantrag einreichen:

E-Mail-Adresse: [sperren@d-trust.net](mailto:sperren@d-trust.net)

Dieses Sperrverfahren gilt nur für die NCA Behörden im Rahmen des PSD2-Verfahrens.

#### 4.9.4 Fristen für einen Sperrantrag

Diese Regelungen sind im TSPS dokumentiert.

#### 4.9.5 Zeitspanne für die Bearbeitung des Sperrantrags durch den TSP

Sperranträge können 24x7 telefonisch oder über die Online-Schnittstelle eingereicht werden. Der Widerruf erfolgt gemäß Abschnitt 4.9 [BRG].

Schriftlich eintreffende Sperranträge werden spätestens am folgenden Arbeitstag bearbeitet.

#### 4.9.6 Verfügbare Methoden zum Prüfen von Sperrinformationen

Aktuelle Sperrinformationen sind in Sperrlisten vorgehalten, die über das Protokoll LDAP<sup>9</sup> oder über den in Abschnitt 2.1 angegebenen Link abgerufen werden können. Zusätzlich steht ein OCSP-Dienst zur Verfügung. Die Erreichbarkeit dieser Dienste wird in Form von URLs in den Zertifikaten angegeben. Ferner können Sperrinformationen über die Webseite des TSP (siehe Abschnitt 2.1) bezogen werden. Delta-CRLs werden nicht genutzt.

Integrität und Authentizität der Sperrinformationen wird durch eine Signatur der CRL bzw. der OCSP-Antwort gewährleistet.

Status- und Sperrinformationen (OCSP und CRL) sind konsistent.

Statusänderungen im OCSP sind unverzüglich nach einem Widerruf zur Abfrage verfügbar. Statusänderungen in einer CRL beinhalten dieselben Sperrinformationen. Die Distribution einer neuen CRL erfolgt jedoch zeitversetzt zum Widerruf.

Sperreinträge in Sperrlisten verbleiben mindestens bis zum Ablauf der Zertifikatsgültigkeit enthalten.

#### **QCP-n-qscd, QCP-I-qscd, QCP-I**

Sperreinträge verbleiben nach Ablauf der jeweiligen Zertifikatsgültigkeit in den zugehörigen Sperrlisten.

#### 4.9.7 Häufigkeit der Veröffentlichung von Sperrlisten

Siehe Abschnitt 2.3.

#### 4.9.8 Maximale Latenzzeit für Sperrlisten

Sperrlisten werden unmittelbar erstellt und nach spätestens 60 Minuten veröffentlicht.

#### 4.9.9 Online-Verfügbarkeit von Sperrinformationen

Zur Onlineprüfung steht ein OCSP-Dienst zur Verfügung. Die Erreichbarkeit dieses Dienstes wird in Form eines URL in den Zertifikaten angegeben.

---

<sup>9</sup> Zukünftig werden Sperrlisten nur noch über einen http-Link angeboten.

#### 4.9.10 Notwendigkeit zur Online-Prüfung von Sperrinformationen

Diese Regelungen sind im TSPS dokumentiert.

#### 4.9.11 Andere Formen zur Anzeige von Sperrinformationen

Diese Regelungen sind im TSPS dokumentiert.

#### 4.9.12 Spezielle Anforderungen bei Kompromittierung des privaten Schlüssels

Diese Regelungen sind im TSPS dokumentiert.

#### 4.9.13 Bedingungen für eine Suspendierung

Diese Regelungen sind im TSPS dokumentiert.

### 4.10 Statusabfragedienst für Zertifikate

#### 4.10.1 Funktionsweise des Statusabfragedienstes

Diese Regelungen sind im TSPS dokumentiert.

#### 4.10.2 Verfügbarkeit des Statusabfragedienstes

Diese Regelungen sind im TSPS dokumentiert.

#### 4.10.3 Optionale Leistungen

Diese Regelungen sind im TSPS dokumentiert.

### 4.11 Austritt aus dem Zertifizierungsdienst

Diese Regelungen sind im TSPS dokumentiert.

### 4.12 Schlüsselhinterlegung und –wiederherstellung

Das Hinterlegen privater EE-Schlüssel kann beantragt werden.

Schlüsselhinterlegung wird für qualifizierte Zertifikate gemäß [EN 319 411-1] und [EN 319 411-2] nicht vom TSP angeboten. Dem *subscriber* steht es frei, Schlüssel im eigenen Verantwortungsbereich zu hinterlegen.

#### 4.12.1 Bedingungen und Verfahren für die Hinterlegung und Wiederherstellung privater Schlüssel

Schlüsselhinterlegung wird nicht vom TSP angeboten.

#### 4.12.2 Bedingungen und Verfahren für die Hinterlegung und Wiederherstellung von Sitzungsschlüsseln

Schlüsselhinterlegung wird nicht vom TSP angeboten.

## 5. Nicht-technische Sicherheitsmaßnahmen

Die Beschreibungen dieses Kapitels beziehen sich auf die CAs, die bei der D-Trust GmbH im Rahmen von [EN 319 411-1] und [EN 319 411-2] betrieben werden

Die weiteren Regelungen sind im TSPS dokumentiert.

### 5.1 Bauliche Sicherheitsmaßnahmen

Diese Regelungen sind im TSPS dokumentiert.

## 5.2 Verfahrensvorschriften

- 5.2.1 Rollenkonzept- und Berechtigungskonzept  
Diese Regelungen sind im TSPS dokumentiert.
- 5.2.2 Mehraugenprinzip  
Diese Regelungen sind im TSPS dokumentiert.
- 5.2.3 Identifikation und Authentifizierung für einzelne Rollen  
Diese Regelungen sind im TSPS dokumentiert.
- 5.2.4 Rollenausschlüsse  
Diese Regelungen sind im TSPS dokumentiert.

## 5.3 Eingesetztes Personal

Der TSP erfüllt die Anforderungen an das Personal aus [EN 319 411-1] und [EN 319 411-2].

- 5.3.1 Anforderungen an Qualifikation, Erfahrung und Zuverlässigkeit  
Diese Regelungen sind im TSPS dokumentiert.
- 5.3.2 Zuverlässigkeitsprüfungen  
Diese Regelungen sind im TSPS dokumentiert.
- 5.3.3 Schulungen  
Diese Regelungen sind im TSPS dokumentiert.
- 5.3.4 Häufigkeit von Schulungen und Belehrungen  
Diese Regelungen sind im TSPS dokumentiert.
- 5.3.5 Häufigkeit und Folge von Job-Rotation  
Diese Regelungen sind im TSPS dokumentiert.
- 5.3.6 Maßnahmen bei unerlaubten Handlungen  
Diese Regelungen sind im TSPS dokumentiert.
- 5.3.7 Anforderungen an externe Mitarbeiter  
Diese Regelungen sind im TSPS dokumentiert.
- 5.3.8 Ausgehändigte Dokumentation  
Diese Regelungen sind im TSPS dokumentiert.

## 5.4 Überwachungsmaßnahmen

- 5.4.1 Überwachung des Zutritts  
Diese Regelungen sind im TSPS dokumentiert.
- 5.4.2 Überwachung Risiken  
Diese Regelungen sind im TSPS dokumentiert.

## 5.5 Archivierung von Aufzeichnungen

### 5.5.1 Arten von archivierten Aufzeichnungen

Diese Regelungen sind im TSPS dokumentiert.

### 5.5.2 Aufbewahrungsfristen für archivierte Daten

Diese Regelungen sind im TSPS dokumentiert.

### 5.5.3 Sicherung des Archivs

Diese Regelungen sind im TSPS dokumentiert.

### 5.5.4 Datensicherung des Archivs

Diese Regelungen sind im TSPS dokumentiert.

### 5.5.5 Anforderungen zum Zeitstempeln von Aufzeichnungen

Diese Regelungen sind im TSPS dokumentiert.

### 5.5.6 Archivierung (intern / extern)

Diese Regelungen sind im TSPS dokumentiert.

### 5.5.7 Verfahren zur Beschaffung und Verifikation von Archivinformationen

Diese Regelungen sind im TSPS dokumentiert.

## 5.6 Schlüsselwechsel beim TSP

Diese Regelungen sind im TSPS dokumentiert.

## 5.7 Kompromittierung und Geschäftsweiterführung beim TSP

### 5.7.1 Behandlung von Vorfällen und Kompromittierungen

Diese Regelungen sind im TSPS dokumentiert.

### 5.7.2 Wiederherstellung nach Kompromittierung von Ressourcen

Diese Regelungen sind im TSPS dokumentiert.

### 5.7.3 Kompromittierung des privaten CA-Schlüssels

Diese Regelungen sind im TSPS dokumentiert.

### 5.7.4 Möglichkeiten zur Geschäftsweiterführung

Diese Regelungen sind im TSPS dokumentiert.

## 5.8 Schließung des TSP bzw. die Beendigung der Dienste

Diese Regelungen sind im TSPS dokumentiert.

## 6. Technische Sicherheitsmaßnahmen

Die Beschreibungen dieses Kapitels beziehen sich auf die PKI-Dienste, die in diesem CPS behandelt werden und bei der D-Trust GmbH betrieben werden.

## 6.1 Erzeugung und Installation von Schlüsselpaaren

### 6.1.1 Erzeugung von Schlüsselpaaren

Die allgemeinen Regelungen sind im TSPS dokumentiert.

#### **QCP-I, QEVCW-w, QNCP-w, EVCP, OVCP, NCP, LCP**

Der Zertifikatsnehmer ist bei der Erzeugung von EE-Schlüsseln verpflichtet, diese entsprechend der Vorgaben aus [EN 319 411-1] und [EN 319 411-2] kryptografisch sicher zu erzeugen.

#### **QEVCW-w, QNCP-w, EVCP, OVCP**

Der Zertifikatsnehmer darf eine Zertifikatsanfrage nur mit einem neuen, selbst erzeugten Schlüsselpaar stellen. Dies gilt insbesondere für EE-Server-Zertifikatsanfragen. Wenn der TSP feststellt, dass das neue Zertifikat mit dem gleichen Schlüsselpaar angefragt wird und/oder zur Zertifikatsanfrage ein Schlüsselpaar verwendet wird bei der eine oder mehrere der Bedingungen aus Abschnitt 6.1.1.3 [BRG].

#### **QCP-I-qscd, QCP-n-qscd**

Werden EE-Schlüssel vom TSP erzeugt, werden diese mit Hilfe eines HSMs oder auf einer qualifizierten Signatur-/Siegelerstellungseinheit in der sicheren Umgebung des Trustcenters erzeugt und entsprechen den Vorgaben aus [EN 319 411-2].

Werden EE-Schlüssel und EE-Zertifikate auf Chipkarten oder anderen hardwarebasierten Token erzeugt oder aufgebracht, verfährt der TSP bei der Beschaffung, Lagerung, Personalisierung und beim PIN-Handling gemäß den entsprechend anwendbaren Vorgaben des Herstellers oder des Zertifizierers der Chipkarte bzw. des Tokens.

### 6.1.2 Lieferung privater Schlüssel an Zertifikatsnehmer

Werden die privaten Schlüssel beim TSP erzeugt, werden sie gemäß Abschnitt 4.4.1 zugestellt. In diesem Fall erfolgt die Speicherung der privaten Schlüssel beim TSP bis zur Auslieferung in einer sicheren Umgebung.

Da keine Schlüssel hinterlegt werden, wird der private Schlüssel nach der Auslieferung an den Zertifikatsnehmer beim TSP gelöscht.

### 6.1.3 Lieferung öffentlicher Schlüssel an den TSP

#### **QEVCW-w, QNCP-w, EVCP, OVCP, NCP, LCP**

Zertifikatsanforderungen können von Zertifikatsnehmern zu einem von ihnen erzeugten Schlüsselpaar per PKCS#10-Request gestellt werden, der mit dem entsprechenden privaten Schlüssel signiert werden muss. Der PKCS#10-Request enthält den öffentlichen Schlüssel. Die entsprechende Response gibt das vollständige Zertifikat zurück.

### 6.1.4 Lieferung öffentlicher CA-Schlüssel an Zertifikatsnutzer

Der öffentliche Schlüssel der CA ist im Zertifikat enthalten. Dieses Zertifikat befindet sich i. d. R. auf dem Token, das dem Zertifikatsnehmer übergeben wird. Darüber hinaus können die CA-Zertifikate aus dem öffentlichen Verzeichnis bezogen werden, in dem sie nach ihrer Erstellung veröffentlicht werden.

### 6.1.5 Schlüssellängen

Diese Regelungen sind im TSPS dokumentiert.

### 6.1.6 Festlegung der Schlüsselparameter und Qualitätskontrolle

Diese Regelungen sind im TSPS dokumentiert.

Signatur- und Verschlüsselungsalgorithmus sind im Abschnitt 7.1.3 genannt.

### 6.1.7 Schlüsselerwendungen

Diese Regelungen sind im TSPS dokumentiert.

## 6.2 Sicherung des privaten Schlüssels und Anforderungen an kryptographische Module

### 6.2.1 Standards und Sicherheitsmaßnahmen für kryptographische Module

Die allgemeinen Regelungen sind im TSPS dokumentiert.

Werden die privaten EE-Schlüssel im Verantwortungsbereich des Zertifikatsnehmers erstellt, so hat dieser ebenfalls dafür zu sorgen, dass eine ausreichende Qualität bei der Schlüsselerzeugung gewährleistet ist.

#### **NCP, LCP**

Der TSP betreibt geeignete hard- und softwarebasierte Schlüsselgeneratoren um die Qualität der EE-Schlüssel zu sichern.

### 6.2.2 Mehrpersonen-Zugriffssicherung zu privaten Schlüsseln (n von m)

Das HSM, auf dem die CA-Schlüssel aufbewahrt werden, befindet sich in der sicheren Umgebung des Trustcenters. Die Aktivierung des privaten Schlüssels erfordert zwei autorisierte Personen.

Ein Zugriff auf private EE-Schlüssel besteht nur im Fall von Schlüssel hinterlegung gemäß Abschnitt 6.2.3.

### 6.2.3 Hinterlegung privater Schlüssel (key escrow)

Private EE-Schlüssel werden vom TSP nicht hinterlegt.

### 6.2.4 Backup privater Schlüssel

Die allgemeinen Regelungen sind im TSPS dokumentiert.

Für private EE-Schlüssel wird kein Backup angeboten, eine Sicherung erfolgt nur im Rahmen der Hinterlegung (key escrow), wenn diese produktspezifisch verfügbar ist oder vereinbart wurde.

### 6.2.5 Archivierung privater Schlüssel

Diese Regelungen sind im TSPS dokumentiert.

### 6.2.6 Transfer privater Schlüssel in oder aus kryptographischen Modulen

Diese Regelungen sind im TSPS dokumentiert.

### 6.2.7 Speicherung privater Schlüssel in kryptographischen Modulen

Die allgemeinen Regelungen sind im TSPS dokumentiert.

EE-Schlüssel liegen verschlüsselt in einer Datenbank des TSP vor.

### 6.2.8 Aktivierung privater Schlüssel

Die allgemeinen Regelungen sind im TSPS dokumentiert.

Private EE-Schlüssel werden durch Eingabe der PIN aktiviert.

### 6.2.9 Deaktivieren privater Schlüssel

Die allgemeinen Regelungen sind im TSPS dokumentiert.

Die jeweilige Anwendung deaktiviert den privaten EE-Schlüssel, spätestens aber das Ziehen der Karte aus dem Kartenleser bzw. das Deaktivieren oder Löschen des Soft-PSEs.



Eine dauerhafte Deaktivierung der privaten EE-Schlüssel auf Chipkarten erfolgt, wenn die PIN-Eingabe aufeinander folgend mehrfach fehlerhaft ist. Die Anzahl der Reaktivierungsvorgänge der Karte durch Eingabe der PUK ist begrenzt. Mehrfachsignaturkarten verfügen nicht über eine PUK.

#### 6.2.10 Zerstörung privater Schlüssel

Die allgemeinen Regelungen sind im TSPS dokumentiert.

##### **QCP-n-qscd, QCP-I-qscd**

Wird der Chip der Karte zerstört oder werden die Dateien, die den privaten EE-Schlüssel enthalten, gelöscht, so ist der private Schlüssel zerstört.

#### 6.2.11 Beurteilung kryptographischer Module

Diese Regelungen sind im TSPS dokumentiert.

### 6.3 Andere Aspekte des Managements von Schlüsselpaaren

#### 6.3.1 Archivierung öffentlicher Schlüssel

Diese Regelungen sind im TSPS dokumentiert.

#### 6.3.2 Gültigkeitsperioden von Zertifikaten und Schlüsselpaaren

Die allgemeinen Regelungen sind im TSPS dokumentiert.

Die Gültigkeitsdauer der EE-Schlüssel und Zertifikate ist variabel und dem Zertifikat zu entnehmen. Die maximal mögliche Gültigkeitsdauer beträgt für

##### **QEVCP-w, QNCP-w, EVCP, OCVF**

Bis einschließlich 31.08.2020 werden TLS-Zertifikate mit folgender Gültigkeitsdauer ausgestellt:

Max. 825 Tage

Seit 01.09.2020 werden TLS-Zertifikate mit folgender Gültigkeitsdauer ausgestellt:

Max. 398 Tage

In 2022 wurde die maximale Gültigkeitsdauer um einen Tag reduziert. TLS-Zertifikate werden nun mit folgender Gültigkeitsdauer ausgestellt:

Max. 397 Tage

##### **QEVCP-w und QNCP-w mit der Ausprägung PSD2**

Qualifizierte Webseitenzertifikate mit der Ausprägung PSD2 werden mit folgender Gültigkeitsdauer ausgestellt:

Max. 397 Tage

##### **NCP, LCP**

Max. 63 Monate

##### **QCP-I, QCP-I-qscd, QCP-n-qscd**

EE-Zertifikate werden mit einer maximalen Gültigkeit von 39 Monaten ausgestellt. Eine längere Gültigkeit kann vertraglich vereinbart werden.

Wird ein Zertifikat für einen längeren Zeitraum als 24 Monate ausgestellt, trägt der Kunde danach das Risiko und die Kosten eines aus sicherheitstechnischen Gründen erforderlichen Austausches.

## 6.4 Aktivierungsdaten

### 6.4.1 Erzeugung und Installation von Aktivierungsdaten

Die allgemeinen Regelungen sind im TSPS dokumentiert.

#### **QCP-I, QEVCP-w, QNCP-w, EVCP, OVCP, NCP, LCP**

Wird das Schlüsselpaar vom Zertifikatsnehmer erzeugt, wird das Aktivierungsgeheimnis bei diesem Verfahren ebenfalls produziert und steht dem Zertifikatsnehmer somit zur Verfügung.

#### **QCP-n-qscd, QCP-I-qscd, NCP, LCP**

Erzeugt der TSP die Schlüssel, wird entweder ein Transport-PIN-Verfahren genutzt oder die PINs werden in einen PIN-Brief gedruckt und an den Zertifikatsnehmer versandt oder übergeben.

### 6.4.2 Schutz von Aktivierungsdaten

Die allgemeinen Regelungen sind im TSPS dokumentiert.

Zertifikatsnehmer: Beim Transport-PIN-Verfahren ist die Unversehrtheit der Karte über die Transport-PIN erkennbar. In anderen Verfahren werden die PINs einmalig in einen besonders gesicherten PIN-Brief gedruckt oder über eine TLS-gesicherte Webseite an den Zertifikatsnehmer versandt oder übergeben.

### 6.4.3 Andere Aspekte von Aktivierungsdaten

Produktspezifisch wird Zertifikatsnehmern mit Signaturkarte zusätzlich zu der PIN eine Personal Unblocking Key-Nummer (PUK) zum Entsperren der Signaturkarte (nach dreimaliger Fehleingabe der PIN) angeboten.

## 6.5 Sicherheitsmaßnahmen in den Rechneranlagen

### 6.5.1 Spezifische technische Sicherheitsanforderungen in den Rechneranlagen

Diese Regelungen sind im TSPS dokumentiert.

### 6.5.2 Beurteilung von Computersicherheit

Diese Regelungen sind im TSPS dokumentiert.

### 6.5.3 Monitoring

Diese Regelungen sind im TSPS dokumentiert.

## 6.6 Technische Maßnahmen während des Life Cycles

Diese Regelungen sind im TSPS dokumentiert.

### 6.6.1 Sicherheitsmaßnahmen bei der Entwicklung

Diese Regelungen sind im TSPS dokumentiert.

### 6.6.2 Sicherheitsmaßnahmen beim Computermanagement

Diese Regelungen sind im TSPS dokumentiert.

### 6.6.3 Sicherheitsmaßnahmen während des Life Cycles

Diese Regelungen sind im TSPS dokumentiert.

## 6.7 Sicherheitsmaßnahmen für Netze

Diese Regelungen sind im TSPS dokumentiert.

## 6.8 Zeitstempel

Diese Regelungen sind im TSPS dokumentiert.

## 7. Profile von Zertifikaten, Sperrlisten und OCSP

### 7.1 Zertifikatsprofile

#### 7.1.1 Versionsnummern

Diese Regelungen sind im TSPS dokumentiert.

#### 7.1.2 Zertifikatserweiterungen

Diese Regelungen sind im TSPS dokumentiert.

#### 7.1.3 Algorithmen-OIDs

In den CA- und EE-Zertifikaten werden in der subjectPublicKeyInfo derzeit folgende Algorithmen verwendet:

- rsaEncryption mit OID 1.2.840.113549.1.1.1
- id-RSASSA-PSS mit OID 1.2.840.113549.1.1.10 (wird nicht verwendet bei EVCP, OVCP)

Für ECC-Schlüssel werden in den CA- und EE-Zertifikaten derzeit folgende Kurven verwendet:

- secp384r1 mit OID 1.3.132.0.34
- secp521r1 mit OID: 1.3.132.0.35<sup>10</sup>
- secp256r1 mit OID: 1.2.840.10045.3.1.7

Folgende Signaturalgorithmen werden in CA- und EE-Zertifikate derzeit verwendet:

- sha512WithRSAEncryption mit OID 1.2.840.113549.1.1.13
- sha256 WithRSAEncryption mit OID 1.2.840.113549.1.1.11
- ecdsa-with-SHA256 mit OID 1.2.840.10045.4.3.2
- ecdsa-with-SHA384 mit OID 1.2.840.10045.4.3.3
- ecdsa-with-SHA512 mit OID 1.2.840.10045.4.3.4

SHA1 wird nicht verwendet.

#### **QEVCP-w, QNCP-w, EVCP, OVCP**

Die Vorgaben aus Abschnitt 7.1.3.2 [BRG] werden eingehalten.

#### 7.1.4 Namensformate

Diese Regelungen sind im TSPS dokumentiert.

#### 7.1.5 Name Constraints

Diese Regelungen sind im TSPS dokumentiert.

---

<sup>10</sup> Diese Kurve wird nicht verwendet für ECVP, OVCP LCP und NCP.

#### 7.1.6 Certificate Policy Object Identifier

„CertificatePolicies“ kann die OIDs unterstützter CPs enthalten.

Weitere Regelungen sind in der CP in Abschnitt 1.1.3 dokumentiert.

#### 7.1.7 Nutzung der Erweiterung „PolicyConstraints“

Diese Regelungen sind im TSPS dokumentiert.

#### 7.1.8 Syntax und Semantik von „PolicyQualifiers“

Diese Regelungen sind im TSPS dokumentiert.

#### 7.1.9 Verarbeitung der Semantik der kritischen Erweiterung CertificatePolicies

Diese Regelungen sind im TSPS dokumentiert.

### 7.2 Sperrlistenprofile

#### 7.2.1 Versionsnummer(n)

Diese Regelungen sind im TSPS dokumentiert.

#### 7.2.2 Erweiterungen von Sperrlisten und Sperrlisteneinträgen

Diese Regelungen sind im TSPS dokumentiert.

### 7.3 Profile des Statusabfragedienstes (OCSP)

Diese Regelungen sind im TSPS dokumentiert.

#### 7.3.1 Versionsnummer(n)

Diese Regelungen sind im TSPS dokumentiert.

#### 7.3.2 OCSP-Erweiterungen

Diese Regelungen sind im TSPS dokumentiert.

## 8. Auditierungen und andere Prüfungen

Diese Regelungen sind im TSPS dokumentiert.

## 9. Sonstige finanzielle und rechtliche Regelungen

Bezüglich der entsprechenden Regelungen wird auf Kapitel 9 in der CP verwiesen.